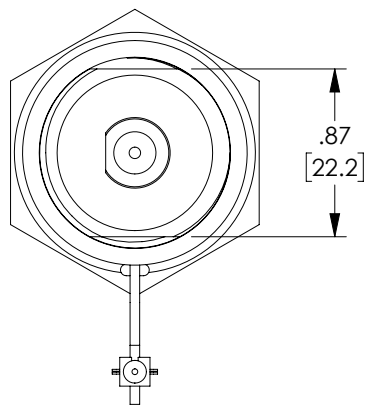


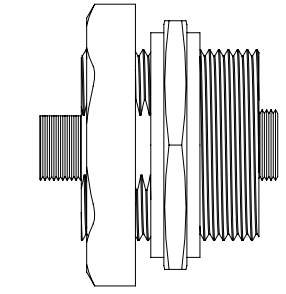
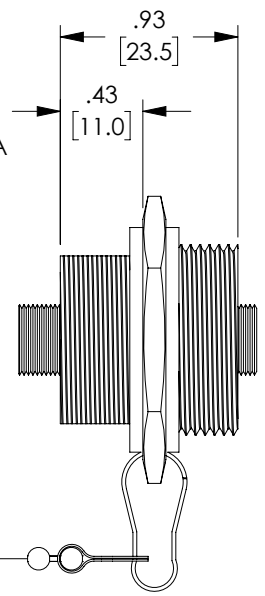
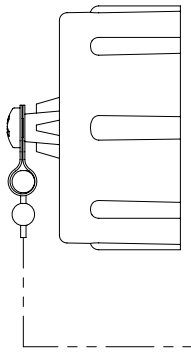
THE INFORMATION CONTAINED IN THIS DRAWING IS THE SOLE PROPERTY OF SHOW ME CABLES, INC. ANY REPRODUCTION IN PART OR WHOLE WITHOUT THE WRITTEN PERMISSION OF SHOW ME CABLES, INC. IS PROHIBITED.

REVISIONS			
REV	DESCRIPTION	DATE	APPROVED
A	INITIAL RELEASE	05/05/2021	MBLACKWOOD

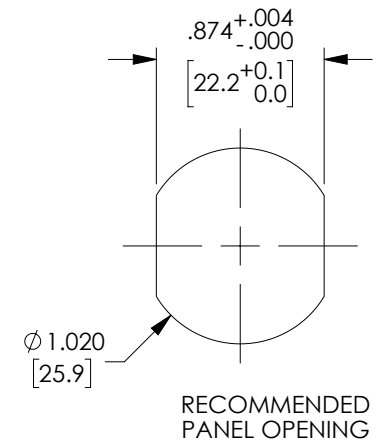
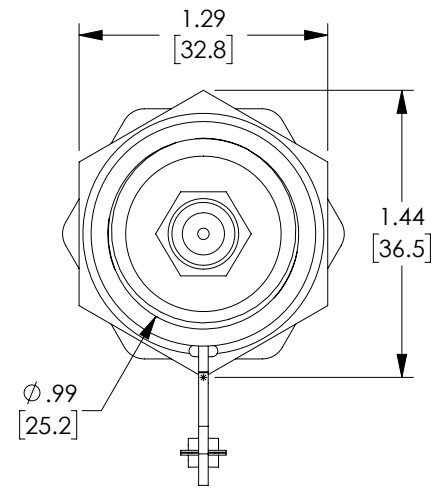
D  
C  
B  
A



SECTION A-A



DUST CAP AND LANYARD NOT SHOWN



RECOMMENDED PANEL OPENING

**NOTES:**  
**MATERIAL:**  
 MAIN BODY AND DUST CAP: PBT + GF, UL94V-0  
 HOOD: MOLDED 25P PVC  
 ADAPTER:  
 BODY: COPPER, NICKEL PLATING  
 INSULATOR: PLASTIC STEEL, BLUE  
 CONTACT: COPPER, BRIGHT NICKEL PLATING

**PHYSICAL CHARACTERISTICS:**  
 OPERATING TEMPERATURE RANGE: -10°C TO +60°C.  
 STORAGE TEMPERATURE RANGE: -40°C TO +68°C.  
 HUMIDITY: 10% ~ 90% RH  
 IP RATING: IP68-WHEN DUST CAP IS ENGAGED.

**ELECTRICAL:**  
 IMPEDANCE: 75 OHM

**PACKAGING:**  
 ASSEMBLY SHALL BE INDIVIDUALLY PACKAGED IN ACCORDANCE WITH L-COM SPECIFICATION PS-0031.

UNLESS OTHERWISE SPECIFIED, DIMENSIONS ARE IN INCHES [mm] OVERALL CABLE LENGTH TOLERANCE: ≤12 [305] = +1 [25] / -0 >12 [305] ≤60 [1524] = +2 [51] / -0 >60 [1524] ≤120 [3048] = +4 [102] / -0 >120 [3048] ≤300 [7620] = +6 [152] / -0 >300 [7620] = +5% / -0 ALL OTHER DIMENSIONAL TOLERANCES: .X = ± .2 [5]   FRACTIONS ± 1/32 .XX = ± .02 [5]   ANGLES ± 1° .XXX = ± .005 [13]	APPROVALS DRAWN BY DMAY CHECKED BY MBLACKWOOD APPROVED BY MBLACKWOOD	DATE 05/04/2021 05/05/2021 05/05/2021	 115 Chesterfield Industrial Blvd., Chesterfield, MO 63005 Phone: 1.888.519.9505 Fax: 1.888.519.9515
	CONFIGURATION DETAILS OF UNDIMENSIONED FEATURES MAY VARY COLOR VARIATIONS MAY OCCUR	CATEGORY <b>COAXIAL</b>	PRODUCT DESCRIPTION <b>IP68 Waterproof F Adapter, F/F, with Dust Caps</b>
THIRD-ANGLE PROJECTION 	SIZE <b>A</b>	CAGE CODE <b>3SVT8</b>	ITEM NO. <b>WPFAD</b>