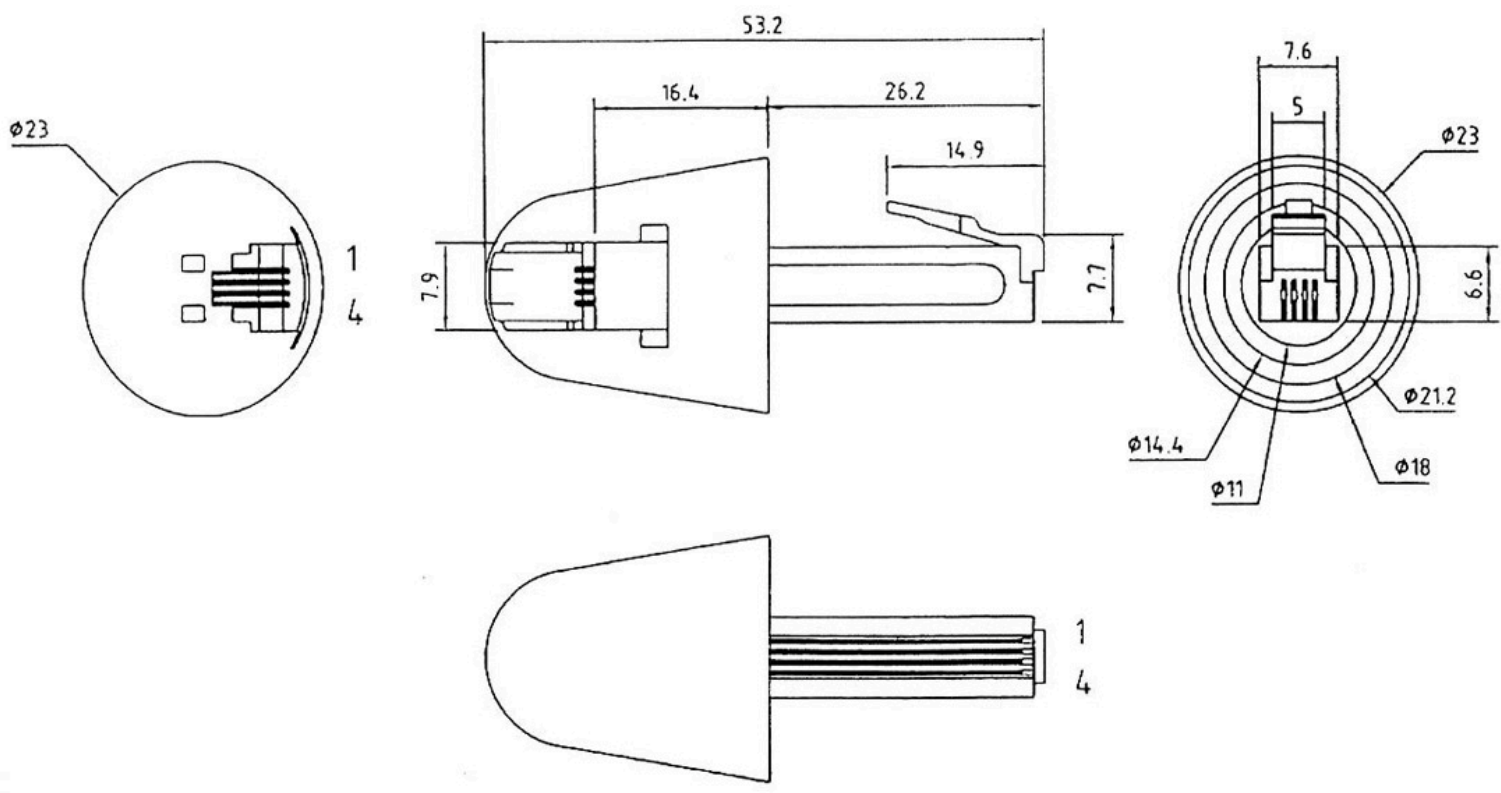
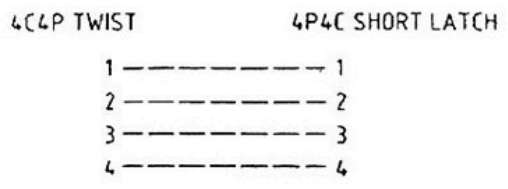


ZONE		REVISIONS		
REV	DESCRIPTION	DATE	APPROVED	



WIRING DIAGRAM



NOTE: ALL MATERIALS ARE COMPLIANCE TO "RoHS".

Show Me
CABLES

BY	DATE	PART NO	SHEET 1 OF 1
DRAWN			
CHK'D			
APPRV			
MATERIAL		UNITS	
FINISH		SCALE	NONE