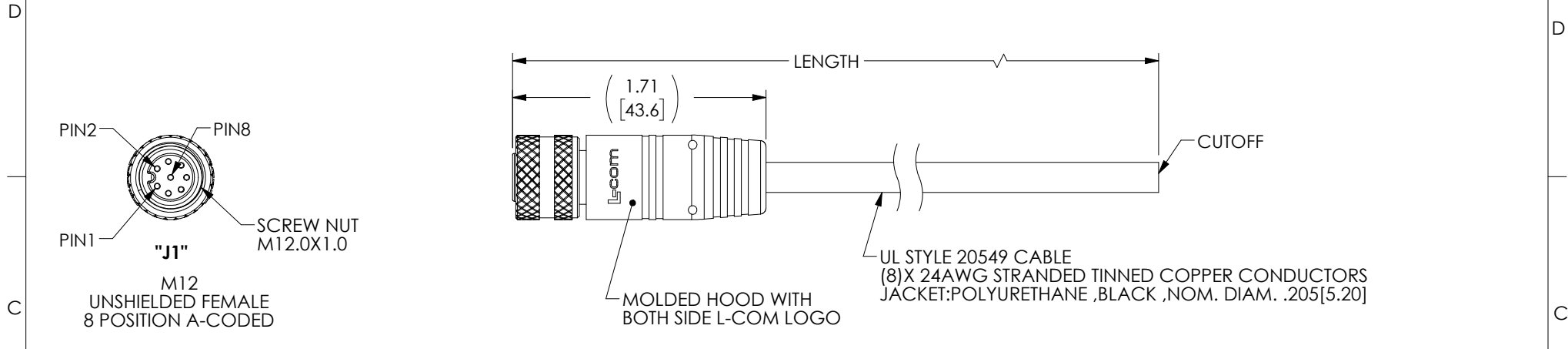


THE INFORMATION CONTAINED IN THIS DRAWING IS THE SOLE PROPERTY OF L-COM, INC. ANY REPRODUCTION IN PART OR WHOLE WITHOUT THE WRITTEN PERMISSION OF L-COM, INC. IS PROHIBITED.

REVISIONS			
REV	DESCRIPTION	DATE	APPROVED
A	INITIAL RELEASED	03/10/2021	DGUITADAUR



"J1" WIRING MAP "CUTOFF"

WHITE 1	_____	_____
BROWN 2	_____	_____
GREEN 3	_____	_____
YELLOW 4	_____	_____
GRAY 5	_____	_____
PINK 6	_____	_____
BLUE 7	_____	_____
RED 8	_____	_____

PART NUMBER	LENGTH	
	FEET	METERS
TRG887-P4B-2M	6.56	2.0
TRG887-P4B-5M	16.41	5.0

NOTES


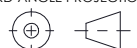
MATERIAL:
MOLDED HOOD:THERMOPLASTIC POLYURETHANE,BLACK
INSULATOR:TPU,BLACK
SCREW NUT:BRASS, NICKEL PLATE
CONTACTS:PHOSPHOR BRONZE, 15µ" MIN. GOLD PLATE

ELECTRICAL:
NOMINAL VOLTAGE RATING:30 V AC/DC
MAX CURRENT:2A

APPLICATION:
INGRESS PROTECTION RATING IS IP67 (MATED).

ENVIRONMENTAL:
OPERATING TEMPERATURE RANGE: -25°C TO +80°C
CABLE JACKET RESISTANCE: OIL, SUNLIGHT & CHEMICAL RESISTANT
CABLE JACKET FLAME RATING:UL94 V-0

MISCELLANEOUS
CABLE ASSEMBLIES TO BE TESTED FOR CONTINUITY
CABLE ASSEMBLY SHALL BE INDIVIDUALLY PACKAGED IN ACCORDANCE WITH L-COM SPECIFICATION PS-0031.

UNLESS OTHERWISE SPECIFIED, DIMENSIONS ARE IN INCHES [mm] OVERALL CABLE LENGTH TOLERANCE: ≤12 [305] = +1 [25] / -0 >12 [305] ≤60 [1524] = +2 [51] / -0 >60 [1524] ≤120 [3048] = +4 [102] / -0 >120 [3048] ≤300 [7620] = +6 [152] / -0 >300 [7620] = +5% / -0 ALL OTHER DIMENSIONAL TOLERANCES: .X = ± .2 [5] FRACTIONS ± 1/32 .XX = ± .02 [.5] ANGLES ± 1° .XXX = ± .005 [.13]	APPROVALS	DATE	 50 High Street, West Mill, North Andover, MA 01845 USA. Phone: 1.800.341.5266 1.978.682.6936
	DRAWN BY B.ZHANG	03/08/2021	
	CHECKED BY SPAN	03/08/2021	PRODUCT DESCRIPTION M12 8PAF PIGTAIL UNSHLD 24AWG PUR BLK
	APPROVED BY DGUITADAUR	03/08/2021	
THIRD-ANGLE PROJECTION 	COLOR VARIATIONS MAY OCCUR	REF	SCALE: NONE CAD FILE: TRG887-P4B.SLDDRW SHEET 1 OF 1