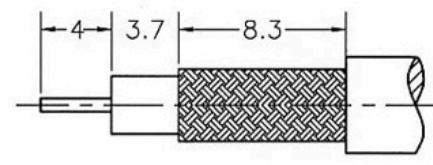
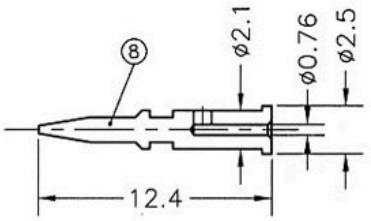
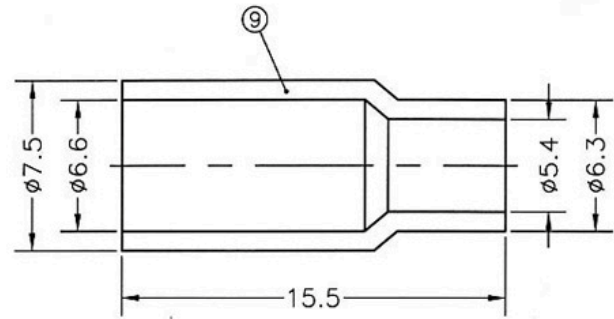
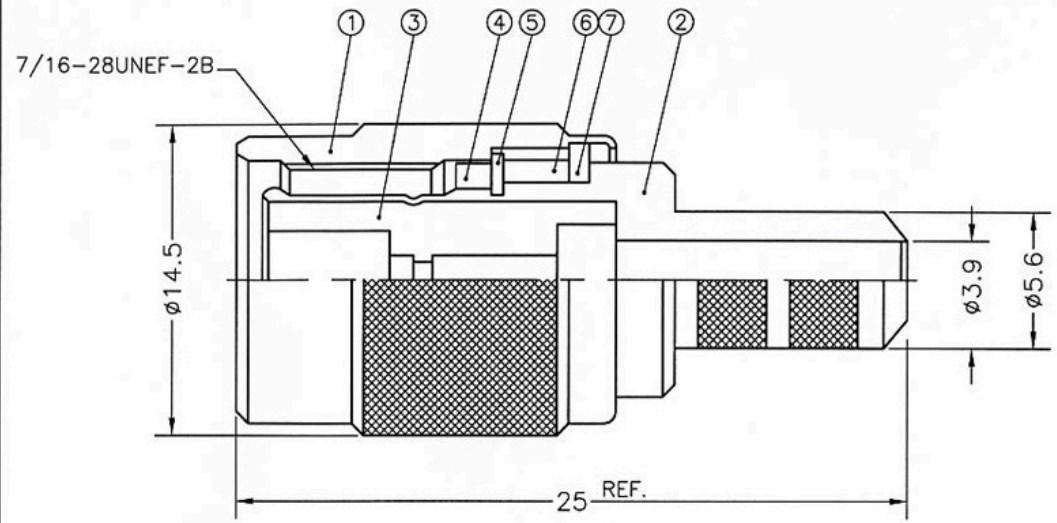


REVISIONS				
ZONE	REV	DESCRIPTION	DATE	APPROVED

D
C
B
A



RECOMMENDED
CABLE STRIPPING DIM'S

BILL OF MATERIALS				
ITEM	DESCRIPTION	QTY	MATERIAL	FINISH
1	SHELL	1	BRASS	NOTE 1
2	BODY	1	BRASS	NOTE 1
3	INSULATOR	1	DELTRIN	NATURAL
4	GASKET	1	SILICONE	RED
5	RETAINER RING	1	BRASS	NOTE 1
6	RING	1	DELTRIN	NATURAL
7	WASHER	1	BRASS	NOTE 1
8	CONTACT PIN	1	BRASS	NOTE 2
9	FERRULE	1	BRASS	NOTE 1

NOTES: FINISH (PLATING THICKNESS IN MICRO-INCHES)
 1. NICKEL PL. 100 MIN. OVER COPPER PL. 50 MIN.
 2. GOLD PL. 3 MIN. OVER NICKEL PL. 50 MIN. OVER COPPER PL. 50 MIN.

BY	DATE	PART NO	UNITS	mm	SHEET
DRAWN TN	12/7/00				
CHK'D					
APPRV					
MATERIAL	SEE NOTES	SCALE	NONE	1 OF 1	
FINISH	SEE NOTES				

Show Me
CABLES