

4

3

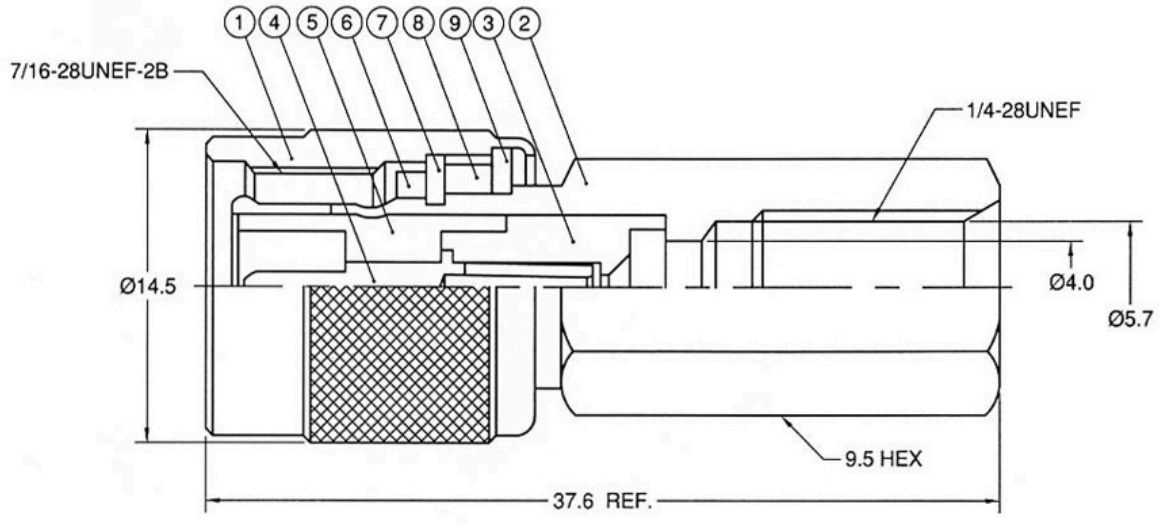
2

1

REVISIONS				
ZONE	REV	DESCRIPTION	DATE	APPROVED

D

D



C

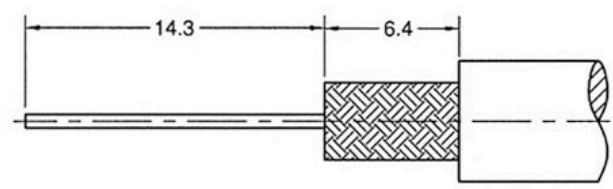
C

B

B

A

A



RECOMMENDED
CABLE STRIPPING DIM'S

NOTES: FINISH (PLATING THICKNESS IN MICRO-INCHES)
 1. NICKEL PL. 100 MIN. OVER COPPER PL. 50 MIN.
 2. GOLD PL. 3 MIN. OVER NICKEL PL. 50 MIN.
 OVER COPPER PL. 50 MIN.

NO.	DESCRIPTION	MATERIAL	FINISH	QTY.
9	WASHER	BRASS	NOTE 1	1
8	RING	DELTRIN	NATURAL	1
7	RETAINER RING	BRASS	NOTE 1	1
6	GASKET	RUBBER	RED	1
5	INSULATOR	DELTRIN	NATURAL	1
4	CONTACT PIN	BRASS	NOTE 2	1
3	INSULATOR	DELTRIN	NATURAL	1
2	HEX BODY	BRASS	NOTE 1	1
1	SHELL	BRASS	NOTE 1	1



BY	DATE	PART NO	
DRAWN JN	07/03/01		
CHK'D			
APPRV			
MATERIAL	SEE NOTES	UNITS	mm
FINISH	SEE NOTES	SCALE	NONE
		SHEET 1 OF 1	