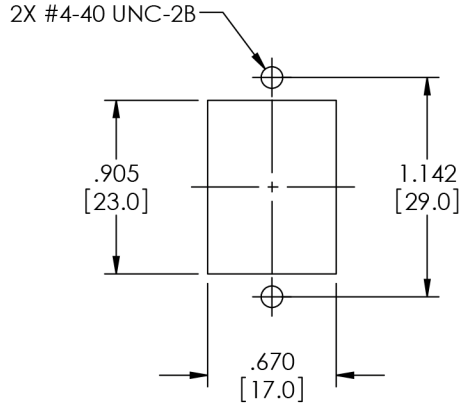
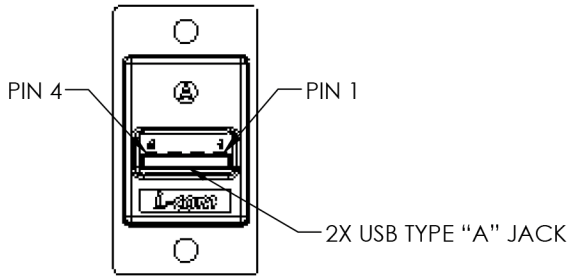
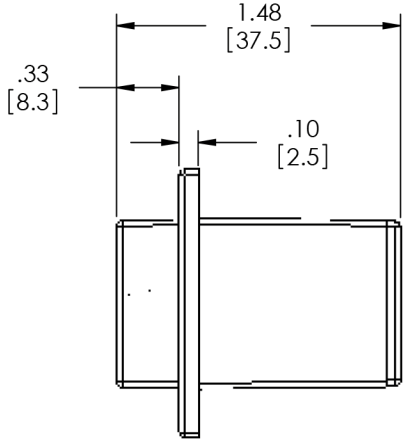
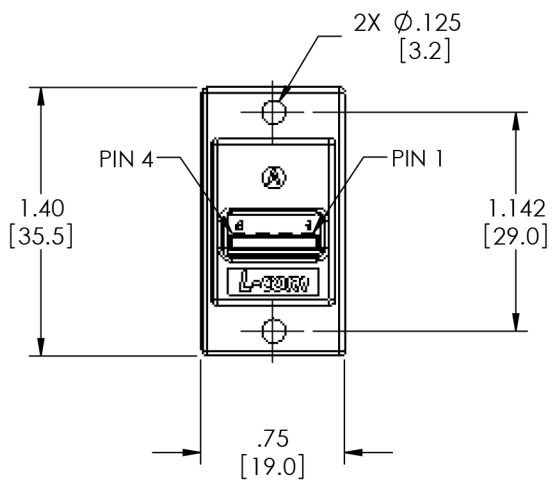
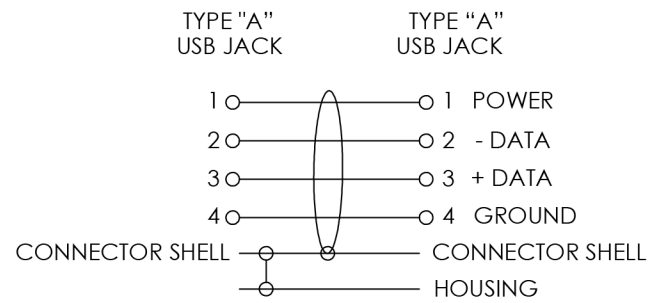


Show Me CABLES

REVISIONS			
REV	DESCRIPTION	DATE	APPROVED
C	ECN 4260: CN RELEASE	9/15/09	D. CASTRO
-	-	-	-
-	-	-	-
-	-	-	-



WIRING MAP



NOTES:

MATERIAL:
 COUPLER HOUSING: ABS, UL94V-0.
 CONNECTOR PLASTIC: PBT WITH GLASS FIBER
 CONNECTOR CONTACTS: BRASS
 CONNECTOR SHELL: BRASS
 PCB: EPOXY GLASS FP-4, 94V-0 FLAMMABILITY RATING

FINISH:
 COUPLER HOUSING: CHROME
 CONNECTOR CONTACTS: GOLD, 30µ MICRO INCH
 CONNECOR SHELL: NICKEL

ENVIRONMENTAL:
 OPERATING TEMPERATURE: -20°C TO +80°C

RECOMMENDED
PANEL CUTOUT

UNLESS OTHERWISE SPECIFIED, DIMENSIONS ARE IN INCHES [mm] OVERALL CABLE LENGTH TOLERANCE: ≤12 [305] = +1 [25] / -0 >12 [305] ≤60 [1524] = +2 [51] / -0 >60 [1524] ≤120 [3048] = +4 [102] / -0 >120 [3048] ≤300 [7620] = +6 [152] / -0 >300 [7620] = +5% / -0%	APPROVALS	DATE	CATEGORY
	DRAWN BY E. STAUBLE	2008.05.12	
CHECKED BY D. CASTRO	2008.05.13	PRODUCT DESCRIPTION	
APPROVED BY D. PARHAM	2008.05.14		USB A-A PANEL ADPT SHIELDED
ALL OTHER DIMENSIONAL TOLERANCES: .X = ±.2 .XX = ±.02 .XXX = ±.005	CONFIGURATION DETAILS OF UNDIMENSIONED FEATURES MAY VARY	SIZE A	FSCM NO. 43321
PROJECTION 	COLOR VARIATIONS MAY OCCUR	DWG. NO.	REV. C
SCALE: NONE		CAD FILE: ECF504-UAAS.SLDDRW	
			SHEET 1 OF 1