

6

5

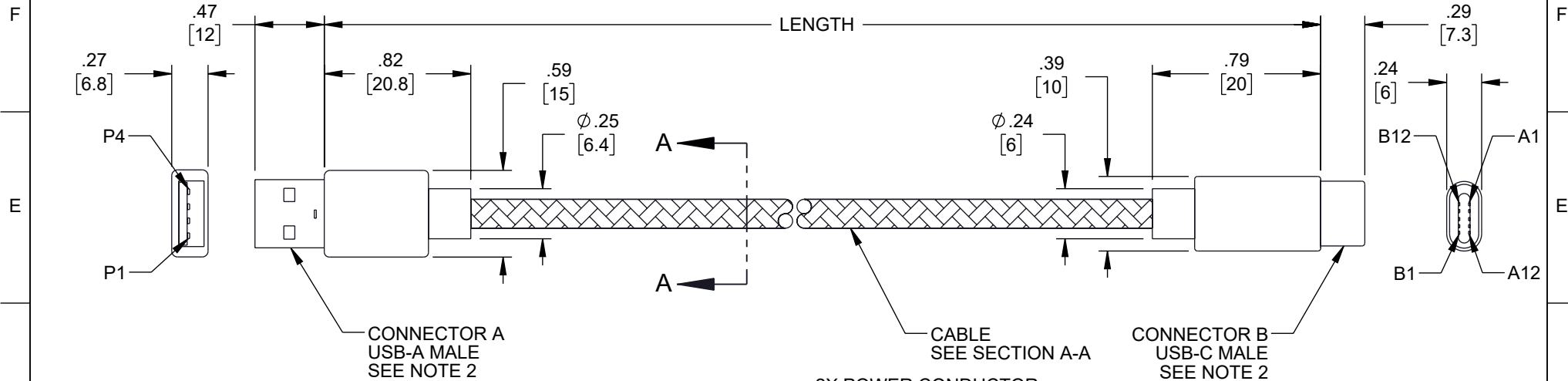
4

3

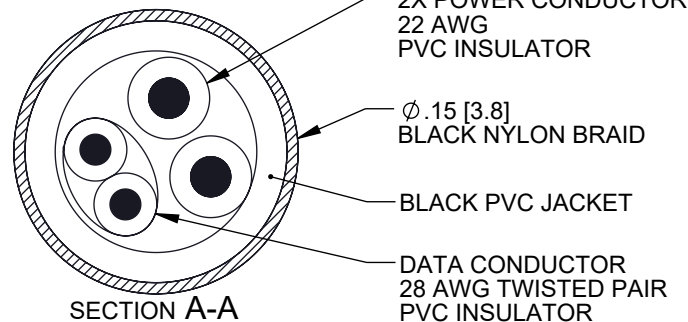
2

1

REVISION					
ZONE	REV	DESCRIPTION	DATE	CHANGED BY	APPROVED
	A	INITIAL RELEASE	01/29/2024	AKRESOWSKI	GUTTADAURO



WIRING MAP	
CONNECTOR A	CONNECTOR B
1	V(A4+B4+A9+B9)
2	A7
3	A6
4	G(A1+B1+A12+B12)



TABULATION BLOCK SEE NOTE 3		
ITEM NO.	LENGTH ±1.2 [30]	QTY PER KIT
SU2-AC-3PK	3 FT	1
	6 FT	1
	10 FT	1

NOTES:

- ELECTRICAL TEST: 100% OPEN SHORT MISS WIRE TEST
CONTACT RESISTANCE: 2 Ohm MAX
INSULATION RESISTANCE: 5 MΩ MIN
HI-POT TEST: DC 300V/10 ms
PASS 480 Mbps/5V 3A TEST
- MATERIAL:
CONNECTOR A: NICKEL PLATING, WHITE PLASTIC
BLACK ALUMINUM ALLOY HOUSING
BOOT MATERIAL: LDPE
CONNECTOR B: NICKEL PLATING
BLACK ALUMINUM ALLOY HOUSING,
BOOT MATERIAL: 45P BLACK PVC
- CABLES SHALL BE INDIVIDUALLY PACKAGED IN A SEALED POLYETHYLENE BAG. ONE BAGGED CABLE OF EACH LENGTH SHOWN IN TABULATION BLOCK SHALL BE PLACED IN A LARGER POLYETHYLENE BAG AND SEALED. A LABEL SHOWING THE KIT ITEM NUMBER, ITEM REVISION, AND ITEM DESCRIPTION SHALL BE APPLIED TO THE BAG.

THE INFORMATION CONTAINED IN THIS DRAWING IS THE SOLE PROPERTY OF INFINITE ELECTRONICS, INC. ANY REPRODUCTION IN PART OR WHOLE WITHOUT THE WRITTEN PERMISSION OF INFINITE ELECTRONICS, INC. IS PROHIBITED. THESE COMMODITIES, TECHNOLOGY OR SOFTWARE WERE EXPORTED FROM THE UNITED STATES IN ACCORDANCE WITH THE EXPORT ADMINISTRATION REGULATIONS. DIVERSION CONTRARY TO U.S. LAW PROHIBITED.

UNLESS OTHERWISE SPECIFIED LEADING DIMENSIONS ARE INCHES DIMENSIONS IN [] ARE MILLIMETERS	
TOLERANCES:	
.X = ±.2 [5]	FRACTIONS ± 1/32
.XX = ±.02 [0.5]	ANGLES ± 1°
.XXX = ±.005 [0.13]	
CABLE LENGTH TOLERANCES:	
≤12 [305] = +1 [25] / -0	
>12 [305] ≤ 60 [1524] = +2 [51] / -0	
>60 [1524] ≤ 120 [3048] = +4 [102] / -0	
>120 [3048] ≤ 300 [7620] = +6 [152] / -0	
>300 [7620] = +5% / -0	
ALL DIMENSIONS ARE FOR REFERENCE ONLY AND SUBJECT TO CHANGE WITHOUT NOTICE. UN-DIMENSIONED/NON-CRITICAL FEATURES MAY VARY IN SIZE AND LOCATION. COLORS MAY VARY.	

<p>an INFINIT® brand</p> <p>Website: www.ShowMeCables.com Phone: 1.888.519.9505</p>		<p>INTERPRET ALL DIMENSIONS AND TOLERANCES PER ASME Y14.5</p>	
		SCALE NONE	SHEET 1 OF 1
DESCRIPTION CABLE KIT, USB 2.0, USB-A MALE TO USB-C MALE, 3FT/6FT/10FT			
SIZE A	CAGE CODE 3SVT8	DRAWN BY AKRESOWSKI	ITEM NO. SU2-AC-3PK
			REV A

6

5

4

3

2

1