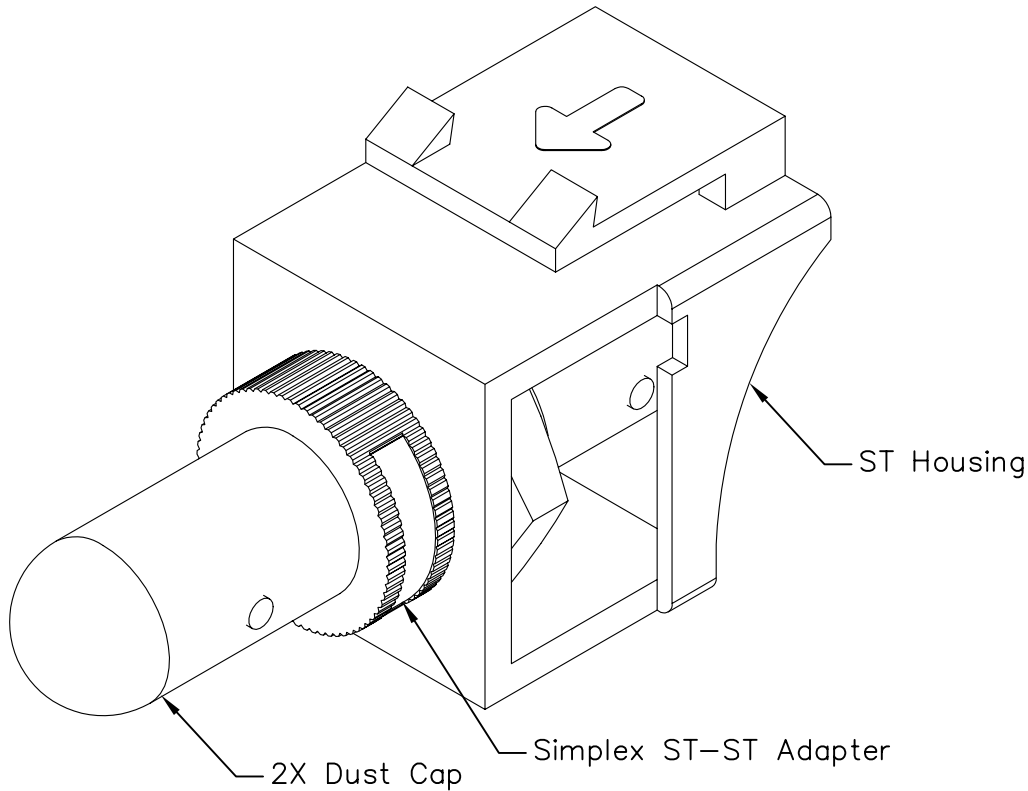


SM/MM Simplex ST-ST Fiber Optic Module

PRODUCT SPECIFICATION


Package includes:

- A. Simplex ST-ST Adapter, 1 pc
- B. Dust Cap, 2 pcs
- C. ST Housing, 1 pc

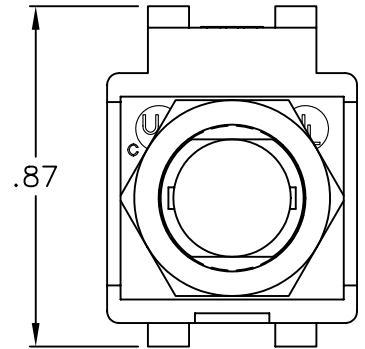
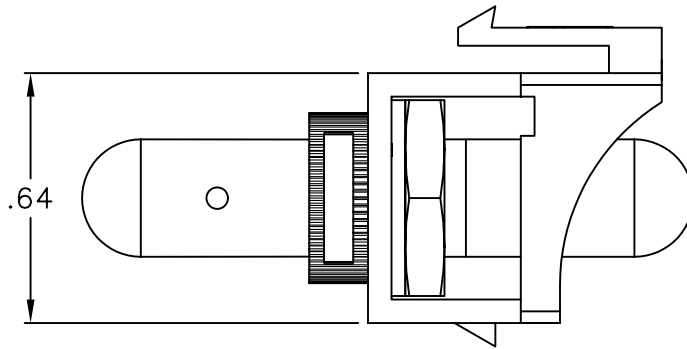
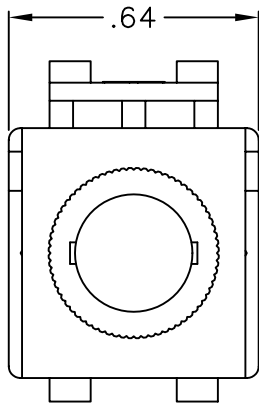
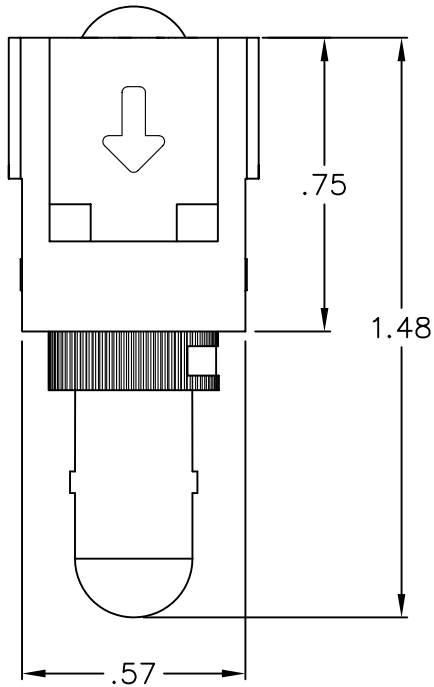


Features and Benefits:

- Supports optical applications in bringing fiber to the desktop for both multimode and singlemode
- Viable solution for high speed data transmission and broadband internet
- Compatible with all IC107 faceplates, inserts, surface mount boxes, and blank patch panels
- Compatible with all IC108 furniture faceplates, bezels, and surface mount boxes
- Available in ivory and white
- UL listed

MODULE, FIBER OPTIC, ST			
ITEM NO.	IC107ST2XX	REV.	B
DWG NO.	PS107ST200	PAGE NO.	1

CUSTOMER CARE / TECHNICAL SUPPORT * CSR@ICC.COM / 888-ASK-4-ICC (275-4422) * 14700 Alondra Blvd., La Mirada, CA 90638 * www.icc.com



NOTE: UNLESS OTHERWISE SPECIFIED

1. HOUSING:

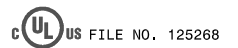
- A. MATERIAL: ABS, UL 94V-0
- B. COLOR: XX: IV-IVORY & WH-WHITE


2. ST-ST ADAPTER:

- A. MATERIAL: ZIRCONIA (CERAMIC) SLEEVE

3. DUST CAP:

- A. MATERIAL: RUBBER
- B. COLOR: YELLOW



MODULE, FIBER OPTIC, ST		 <i>PremiumProducts</i> <i>ProvenPerformance</i> <i>CompetitivePrices</i>	
ITEM NO.	IC107ST2XX		REV. B
DWG NO.	PS107ST200		PAGE NO. 2

CUSTOMER CARE / TECHNICAL SUPPORT * CSR@ICC.COM / 888-ASK-4-ICC (275-4422) * 14700 Alondra Blvd., La Mirada, CA 90638 * www.icc.com