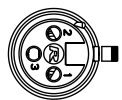
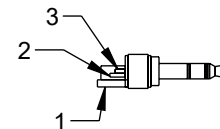
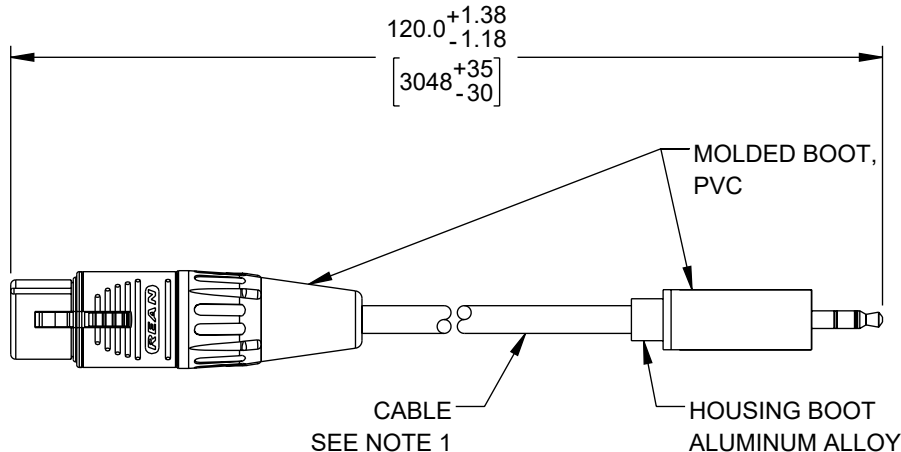


REVISION					
ZONE	REV	DESCRIPTION	DATE	CHANGED BY	APPROVED
	A	INITIAL RELEASE	08/20/2024	KGLEBOVA	GUTTADAURO



"P1"
XLR FEMALE, 3-PIN
SHIELDED CONNECTOR
NICKEL PLATING



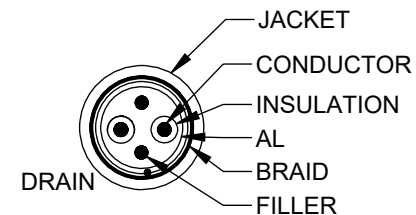
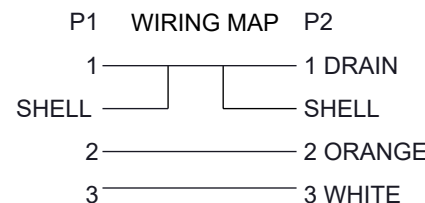
"P2"
3.5 mm PLUG CONNECTOR
COPPER CASE GOLD PLATED

NOTES:

- CABLE: 2C*24AWG(7/0.20±0.008mm)OFC+FILLER+AL+BRAID(16*7/0.10TOFC), JACKET: HIGH-FLEX PVC, OD: .217±.006 [5.5±0.15]. MINIMUM AVERAGE THICKNESS: .049 [1.25]. CONDUCTOR: INSULATION: HDPE, OD: .051±0.002 [1.3±0.05].
- CONTACT MATERIAL P1: COOPER ALLOY, SILVER PLATING.
- IMPEDANCE: 75 OHMS.
- INSTALLATION TEMPERATURE RANGE: 0°C TO ~50 °C.
- OPERATION TEMPERATURE RANGE: -20°C TO ~60 °C.
- VOLTAGE RATING: 30V.
- ELECTRICAL TEST: 100% OPEN AND SHORT TEST.
- CABLE ASSEMBLY SHALL BE TESTED FOR CONTINUITY.
- CABLE ASSEMBLY SHALL BE INDIVIDUALLY PACKAGED.

REGULATORY COMPLIANCE:
EU ROHS DIRECTIVE (MOST RECENT RELEASED VERSION).

THE INFORMATION CONTAINED IN THIS DRAWING IS THE SOLE PROPERTY OF INFINITE ELECTRONICS, INC. ANY REPRODUCTION IN PART OR WHOLE WITHOUT THE WRITTEN PERMISSION OF INFINITE ELECTRONICS, INC. IS PROHIBITED. THESE COMMODITIES, TECHNOLOGY OR SOFTWARE WERE EXPORTED FROM THE UNITED STATES IN ACCORDANCE WITH THE EXPORT ADMINISTRATION REGULATIONS. DIVERSION CONTRARY TO U.S. LAW PROHIBITED.



UNLESS OTHERWISE SPECIFIED LEADING DIMENSIONS ARE INCHES DIMENSIONS IN [] ARE MILLIMETERS

TOLERANCES:

.X = ±.2 [5]	FRACTIONS
.XX = ±.02 [0.5]	± 1/32
.XXX = ±.005 [0.13]	ANGLES ± 1°

CABLE LENGTH TOLERANCES:

≤12 [305]	= +1 [25] / -0
>12 [305] ≤ 60 [1524]	= +2 [51] / -0
>60 [1524] ≤ 120 [3048]	= +4 [102] / -0
>120 [3048] ≤ 300 [7620]	= +6 [152] / -0
>300 [7620]	= +5% / -0

ALL DIMENSIONS ARE FOR REFERENCE ONLY AND SUBJECT TO CHANGE WITHOUT NOTICE. UN-DIMENSIONED/NON-CRITICAL FEATURES MAY VARY IN SIZE AND LOCATION. COLORS MAY VARY.

an INFINIT® brand

Website: www.ShowMeCables.com
Phone: 1.888.519.9505

DESCRIPTION		XLR F TO 3.5 mm CA, F TO M, BLK, 10 FT	
SIZE	CAGE CODE	DRAWN BY	ITEM NO.
A	3SVT8	KGLEBOVA	SMXLR3F35M-BLK-10
			REV
			A

INTERPRET ALL DIMENSIONS AND TOLERANCES PER ASME Y14.5

SCALE	SHEET
NONE	1 OF 1