

6

5

4

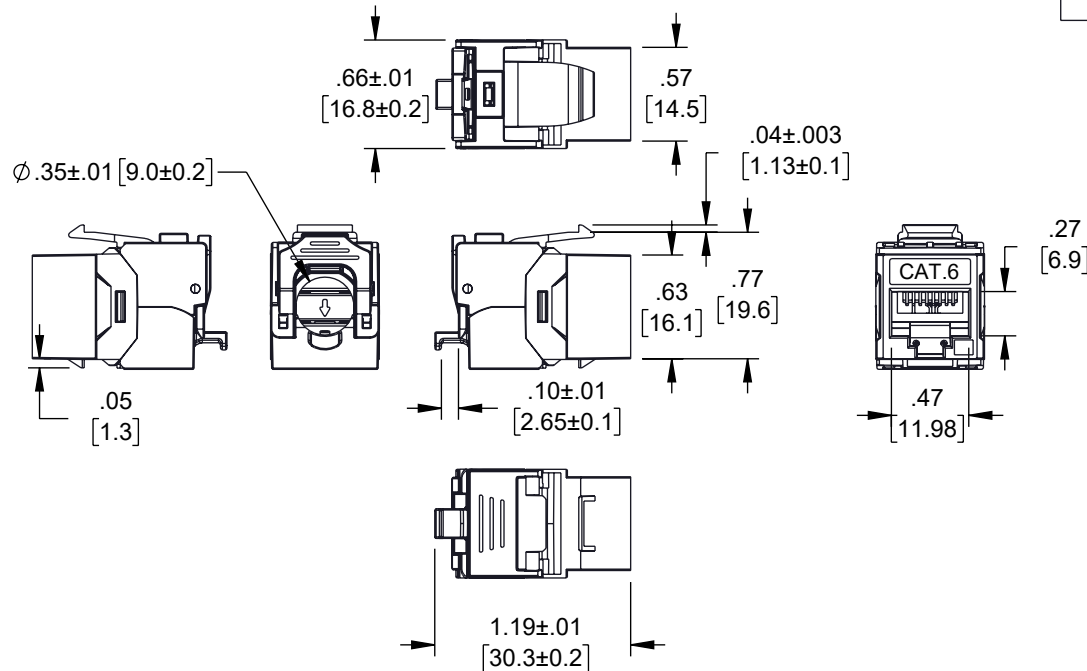
3

2

1

REVISION

ZONE	REV	DESCRIPTION	DATE	CHANGED BY	APPROVED
	A	INITIAL RELEASE	02/03/2025	DMAY	DGUTTADAURO

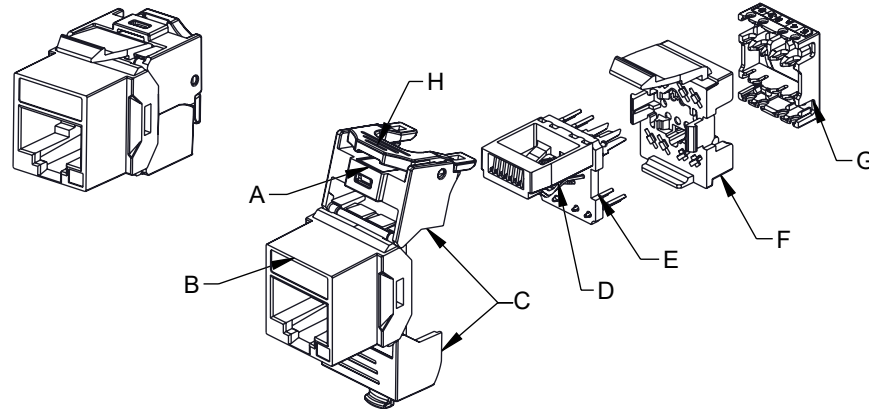
SPECIFICATION:
MATERIAL

- A. PRESSING SHRAPNEL: STAINLESS STEEL, SUS304.
 B. RJ45 HOUSING: PC, UL 94V2 WHITE COLOR.
 C. CAP:
 1-1: CAP A: PC, UL 94-V2 BLACK COLOR.
 1-2: CAP B: PC, UL 94-V2 BLACK COLOR.
 D. CONTACT BRACKET: PC, UL 94-V2, WHITE COLOR.
 E. PCB FR4, UL 90-V0.
 2-1. MATERIAL: PHOSPHOR BRONZE WITH NICKEL PLATING.
 2-2. FINISH: 50 MICRO-INCH GOLD PLATED ON PLUG CONTACT AREA.
 2-3. TERMINAL: PHOSPHOR BRONZE WITH TIN PLATING.
 F. IDC HOUSING: PC, UL 94-V2, WHITE COLOR.
 G. CAP FOR TOOLFREE: PC, UL 94-V2, WHITE COLOR.
 H. KEY SWITCH: PC, UL 94-V2 WHITE COLOR..

PERFORMANCE:

- T568A & T568b WIRING.
- INSERTION FORCE: 20N MAX. (IEC 60603-7-4)
- RETENTION STRENGTH: 7.7kg BETWEEN JACK AND PLUG.
- OPERATING TEMPERATURE: -10°C TO 60°C.
(ISO/IEC 11801, ANSI/TIA 568.2-D)
- LIFE TIME:
 e-1. JACK: 750 CYCLES MIN. (ISO/IEC 11801, IEC 60603-7-4)
 e-2. IDC: SUITABLE FOR 23-26AWG STRANDED AND SOLID WIRE,
 MIN. 20-INSTALLATION CYCLES.
 e-3. TOOL-LESS: WHEN USING THE IDC CAP FOR WIRE MANAGEMENT.
- THE CAT 6 TRANSMISSION PERFORMANCE IS IN COMPLIANCE WITH THE TIA 568 C.2 STANDARD.

COLOR: YELLOW

REGULATORY COMPLIANCE:
EU RoHS DIRECTIVE (MOST RECENT RELEASED VERSION)

THE INFORMATION CONTAINED IN THIS DRAWING IS THE SOLE PROPERTY OF INFINITE ELECTRONICS, INC. ANY REPRODUCTION IN PART OR WHOLE WITHOUT THE WRITTEN PERMISSION OF INFINITE ELECTRONICS, INC. IS PROHIBITED. THESE COMMODITIES, TECHNOLOGY OR SOFTWARE WERE EXPORTED FROM THE UNITED STATES IN ACCORDANCE WITH THE EXPORT ADMINISTRATION REGULATIONS. DIVERSION CONTRARY TO U.S. LAW PROHIBITED.

UNLESS OTHERWISE SPECIFIED
LEADING DIMENSIONS ARE INCHES
DIMENSIONS IN [] ARE MILLIMETERS

TOLERANCES:
 .X = ±.2 [5] FRACTIONS
 .XX = ±.02 [0.5] ± 1/32
 .XXX = ±.005 [0.13] ANGLES ± 1°

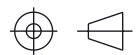
CABLE LENGTH TOLERANCES:
 ≤12 [305] = +1 [25] / -0
 >12 [305] ≤ 60 [1524] = +2 [51] / -0
 >60 [1524] ≤ 120 [3048] = +4 [102] / -0
 >120 [3048] ≤ 300 [7620] = +6 [152] / -0
 >300 [7620] = +5% / -0

ALL DIMENSIONS ARE FOR REFERENCE ONLY
AND SUBJECT TO CHANGE WITHOUT NOTICE
UN-DIMENSIONED/NON-CRITICAL FEATURES
MAY VARY IN SIZE AND LOCATION
COLORS MAY VARY

Show Me™
CABLES

an INFINIT® brand

Website: www.ShowMeCables.com
Phone: 1.888.519.9505



INTERPRET ALL DIMENSIONS AND
TOLERANCES PER ASME Y14.5

SCALE	SHEET
NONE	1 OF 1

DESCRIPTION

CATEGORY 6 ULTRA SHORT-BODY TOOLESS KEYSTONE JACK,
UNSHIELDED, YELLOW

SIZE	CAGE CODE	DRAWN BY	ITEM NO.	REV
A	3SVT8	DMAY	SMRJSBTLC6-YEL	A

6

5

4

3

2

1