

6

5

4

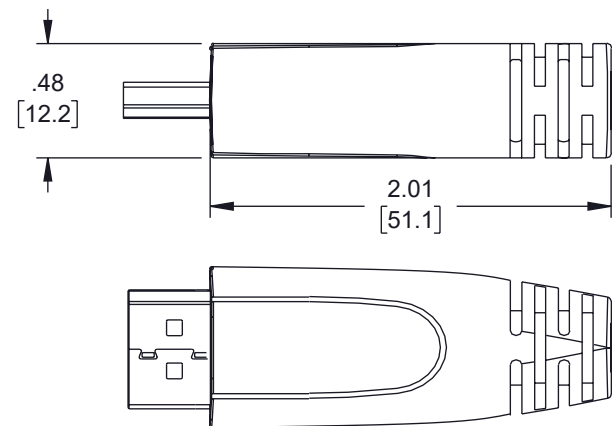
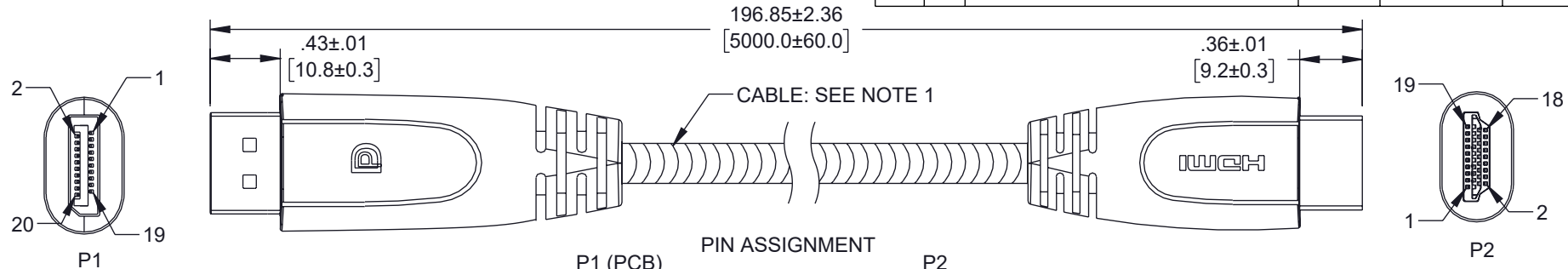
3

2

1

REVISION					
ZONE	REV	DESCRIPTION	DATE	CHANGED BY	APPROVED
	A	INITIAL RELEASE	01/29/2025	TDUFRENE	DGUST

F



P1 (PCB)	PIN ASSIGNMENT	P2
1	RED	1 TMDS DATA2+
3	WHITE	3 TMDS DATA2
2	DRAIN	2 TMDS DATA2
4	GREEN	4 TMDS DATA2
6	WHITE	6 TMDS DATA2
5	DRAIN	5 TMDS DATA2
7	BLUE	7 TMDS DATA2
9	WHITE	9 TMDS DATA2
8	DRAIN	8 TMDS DATA2
10	BROWN	10 TMDS DATA2
12	WHITE	12 TMDS DATA2
11	DRAIN	11 TMDS DATA2
19	BLACK	19 HPD / HEAC-
14	WHITE	14 UTILITY / HEAC+
17	DRAIN	17 DDC/CEC/HEAC GND
13	WHITE	13 CEC
15	YELLOW	15 SCL
16	ORANGE	16 SDA
18	RED	18 +5V POWER
SHELL	DRAIN	SHELL

NOTES:

- CABLE:(25AWGX1P+D+AM)X5+28AWGX4C+ADB Ø7.5MM PVC JACK BLACK ARMORED OD:9.2MM.
- DP/M PIN:G/F INSULATOR:BLACK, PCBA, WITHOUT HOOK (CHIPSET:PS8402)
- PE LOW DENSITY.
- PVC 45PA BLACK UL94V-0
- 100% TEST 4K@60HZ.
- ON-RESISTANCE 3Ω/MAX.
- CABLE ASSEMBLY SHALL BE TESTED FOR CONTINUITY.
- CABLE ASSEMBLY SHALL BE INDIVIDUALLY PACKAGED.

REGULATORY COMPLIANCE:
EU RoHS DIRECTIVE (MOST RECENT RELEASED VERSION).

THE INFORMATION CONTAINED IN THIS DRAWING IS THE SOLE PROPERTY OF INFINITE ELECTRONICS, INC. ANY REPRODUCTION IN PART OR WHOLE WITHOUT THE WRITTEN PERMISSION OF INFINITE ELECTRONICS, INC. IS PROHIBITED. THESE COMMODITIES, TECHNOLOGY OR SOFTWARE WERE EXPORTED FROM THE UNITED STATES IN ACCORDANCE WITH THE EXPORT ADMINISTRATION REGULATIONS. DIVERSION CONTRARY TO U.S. LAW PROHIBITED.

UNLESS OTHERWISE SPECIFIED LEADING DIMENSIONS ARE INCHES DIMENSIONS IN [] ARE MILLIMETERS	
TOLERANCES:	
.X = ±.2 [5]	FRACTIONS ± 1/32
.XX = ±.02 [0.5]	ANGLES ± 1°
.XXX = ±.005 [0.13]	
CABLE LENGTH TOLERANCES:	
≤12 [305] = +1 [25] / -0	
>12 [305] ≤ 60 [1524] = +2 [51] / -0	
>60 [1524] ≤ 120 [3048] = +4 [102] / -0	
>120 [3048] ≤ 300 [7620] = +6 [152] / -0	
>300 [7620] = +5% / -0	
ALL DIMENSIONS ARE FOR REFERENCE ONLY AND SUBJECT TO CHANGE WITHOUT NOTICE UN-DIMENSIONED/NONE-CRITICAL FEATURES MAY VARY IN SIZE AND LOCATION COLORS MAY VARY	

an INFINIT® brand

Website: www.ShowMeCables.com
Phone: 1.888.519.9505

<p>INTERPRET ALL DIMENSIONS AND TOLERANCES PER ASME Y14.5</p>	
SCALE	SHEET
NONE	1 OF 1

DESCRIPTION				
ARMORED DP TO HDMI CA, 4K, 1M				
SIZE	CAGE CODE	DRAWN BY	ITEM NO.	REV
A	3SVT8	TDUFRENE	SMDPHD4KA-1M	A

6

5

4

3

2

1