

6

5

4

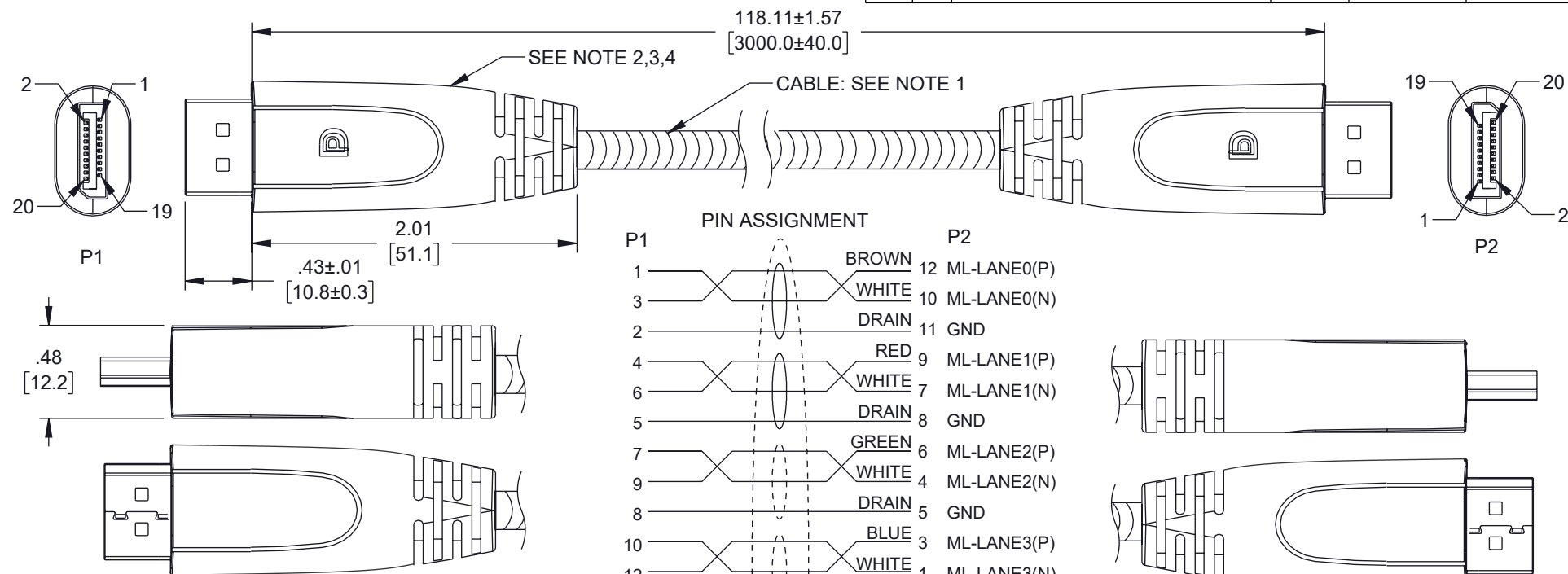
3

2

1

REVISION					
ZONE	REV	DESCRIPTION	DATE	CHANGED BY	APPROVED
	A	INITIAL RELEASE	01/29/2025	TUFRERE	DGUST

F



F

E

E

D

D

C

C

B

B

A

A

NOTES:

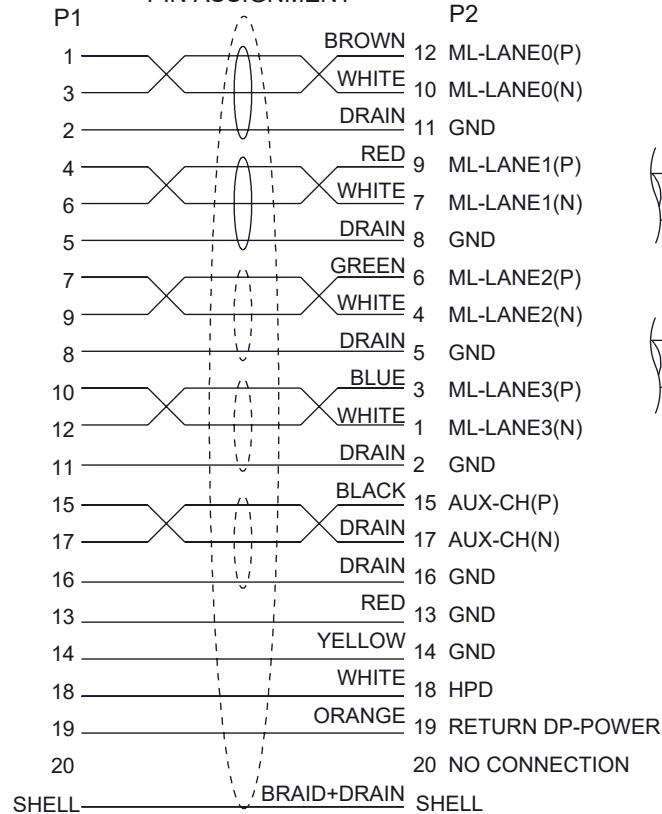
- CABLE:{28AWGX1P+DAM}X5+28AWGX4C+ADB Ø6.5MM PVC JACK BLACK ARMORED OD:8.5MM.
- DP/M PIN:G/F SHELL:G/F INSULATOR:BLACK WITHOUT HOOK
- PE LOW DENSITY
- PVC 45PA BLACK UL94V-0
- 100% OPEN, SHORT & MISWIRE TEST.
- CONDUCTIVE RESISTANCE 3Ω/MAX.
- INSULATION RESISTANCE 10MΩ/MIN AT DC300V/10MS.
- REACH TO SUPPORT 8K@60HZ.
- CABLE ASSEMBLY SHALL BE TESTED FOR CONTINUITY.
- CABLE ASSEMBLY SHALL BE INDIVIDUALLY PACKAGED.

REGULATORY COMPLIANCE:

EU RoHS DIRECTIVE (MOST RECENT RELEASED VERSION).

THE INFORMATION CONTAINED IN THIS DRAWING IS THE SOLE PROPERTY OF INFINITE ELECTRONICS, INC. ANY REPRODUCTION IN PART OR WHOLE WITHOUT THE WRITTEN PERMISSION OF INFINITE ELECTRONICS, INC. IS PROHIBITED. THESE COMMODITIES, TECHNOLOGY OR SOFTWARE WERE EXPORTED FROM THE UNITED STATES IN ACCORDANCE WITH THE EXPORT ADMINISTRATION REGULATIONS. DIVERSION CONTRARY TO U.S. LAW PROHIBITED.

PIN ASSIGNMENT



UNLESS OTHERWISE SPECIFIED
LEADING DIMENSIONS ARE INCHES
DIMENSIONS IN [] ARE MILLIMETERS

TOLERANCES:
X = ±.2 [5] FRACTIONS
.XX = ±.02 [0.5] ± 1/32
.XXX = ±.005 [0.13] ANGLES ± 1°

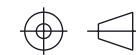
CABLE LENGTH TOLERANCES:
≤12 [305] = +1 [25] / -0
>12 [305] ≤ 60 [1524] = +2 [51] / -0
>60 [1524] ≤ 120 [3048] = +4 [102] / -0
>120 [3048] ≤ 300 [7620] = +6 [152] / -0
>300 [7620] = +5% / -0

ALL DIMENSIONS ARE FOR REFERENCE ONLY
AND SUBJECT TO CHANGE WITHOUT NOTICE
UN-DIMENSIONED (NON-CRITICAL) FEATURES
MAY VARY IN SIZE AND LOCATION
COLORS MAY VARY

Show Me™
CABLES

an INFINIT® brand

Website: www.ShowMeCables.com
Phone: 1.888.519.9505



INTERPRET ALL DIMENSIONS AND
TOLERANCES PER ASME Y14.5

SCALE	SHEET
NONE	1 OF 1

DESCRIPTION

ARMORED DP CA, 8K, 3M

SIZE	CAGE CODE	DRAWN BY	ITEM NO.	REV
A	3SVT8	TUFRERE	SMDP8KA-3M	A

6

5

4

3

2

1