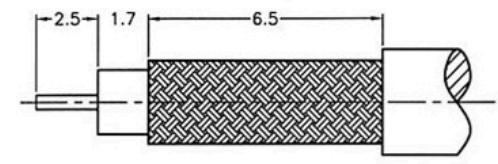
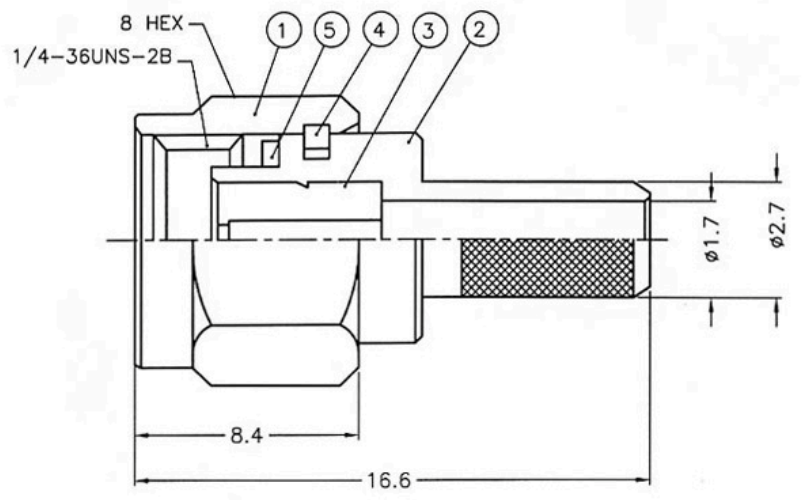
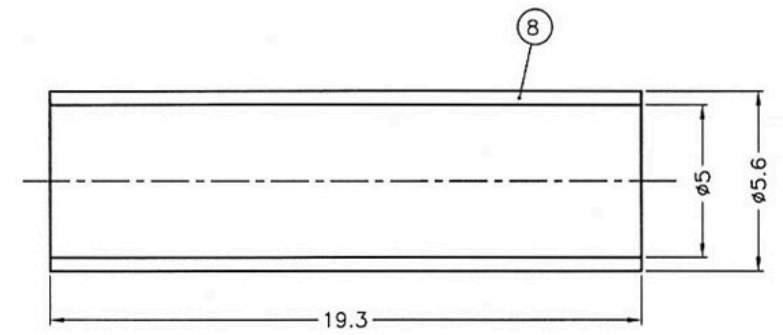
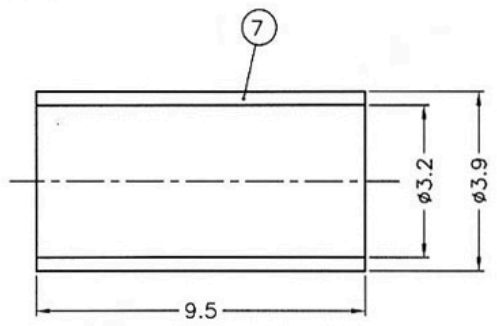
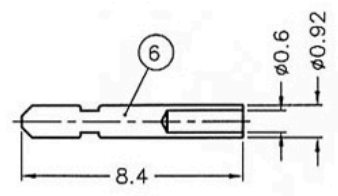


REVISIONS				
ZONE	REV	DESCRIPTION	DATE	APPROVED

Show Me
CABLES



RECOMMENDED
CABLE STRIPPING DIM'S



BILL OF MATERIALS				
NO.	DESCRIPTION	MATERIAL	FINISH	QTY
1	SHELL	BRASS	NOTE 1	1
2	BODY	BRASS	NOTE 1	1
3	INSULATOR	TEFLON	NATURAL	1
4	RETAINER RING	BERYLLIUM COPPER	NATURAL	1
5	GASKET	SILICONE	RED	1
6	CONTACT PIN	BRASS	NOTE 2	1
7	FERRULE	BRASS	NOTE 1	1
8	HEAT SHRINK TUBING	-	-	1

NOTES: FINISH (PLATING THICKNESS IN MICRO-INCHES)
 1. NICKEL PL. 100 MIN. THICK OVER COPPER STRIKE.
 2. GOLD PL. 50 MIN. THICK OVER NICKEL PL. 100 MIN. THICK OVER COPPER STRIKE.

BY	DATE	PART NO
DRAWN <i>TN</i>	12/20/00	
CHK'D		
APPRV		
MATERIAL	SEE NOTES	UNITS mm
FINISH	SEE NOTES	
SCALE		NONE
SHEET		1 OF 1