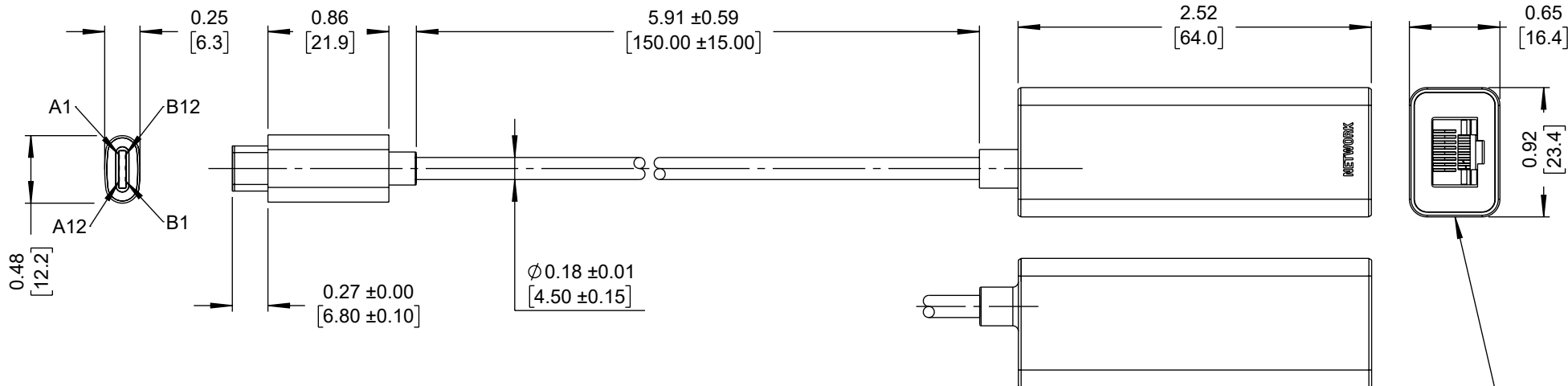


THE INFORMATION CONTAINED IN THIS DRAWING IS THE SOLE PROPERTY OF L-COM, INC. ANY REPRODUCTION IN PART OR WHOLE WITHOUT THE WRITTEN PERMISSION OF L-COM, INC. IS PROHIBITED.

REVISION					
ZONE	REV	DESCRIPTION	DATE	CHANGED BY	APPROVED
	A	INITIAL RELEASE	07/25/2023	LNAGARAJ	GUTTADAURO

USB TYPE C-MALE

RJ45 FEMALE



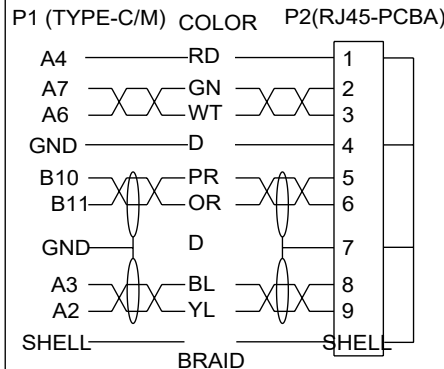
TEST CONDITIONS:

- 100% OPEN, SHORT AND SWAP TEST.
- ON-RESISTANCE: 2 OHMS MAX.
- INSULATION RESISTANCE: 10 MEGAOHM MIN/DC300V/10MS (WIRE END)
- 100% MACHINE TESTED AND PASSED APPLE'S NEW GENERATION LAPTOP TEST (USB C PLUG DOUBLE-SIDED TEST).
- RJ45 FEMALE TERMINAL CONNECTION NETWORK CABLE, CONNECT THE NETWORK, AND CONDUCT FUNCTIONAL TESTING.
- USE TWO COMPUTERS AND A 1000M ROUTER FOR TESTING TO ENSURE THAT THE NETWORK SPEED IS 950M OR ABOVE STANDARD.

NOTE:

- ALL MARKINGS ARE FOR REFERENCE ONLY.
- PRODUCT SHALL BE INDIVIDUALLY PACKAGED.

PIN ASSIGNMENT



1000 MB NIC INTERFACE
UNLIT NETWORK CARD HOLDER

UNLESS OTHERWISE SPECIFIED, DIMENSIONS ARE IN INCHES [mm] OVERALL CABLE LENGTH TOLERANCE: ≤12 [305] = +1 [25] / -0 >12 [305] ≤60 [1524] = +2 [51] / -0 >60 [1524] ≤120 [3048] = +4 [102] / -0 >120 [3048] ≤300 [7620] = +6 [152] / -0 >300 [7620] = +5% / -0 ALL OTHER DIMENSIONAL TOLERANCES: .X = ± .2 [5] FRACTIONS ± 1/32 .XX = ± .02 [0.5] ANGLES ± 1° .XXX = ± .005 [0.13]	APPROVALS DRAWN BY LNAGARAJ CHECKED BY RCARLESCO APPROVED BY GUTTADAURO	DATE 07/25/2023 07/28/2023 07/28/2023	 an INFINIT® brand 50 High Street, West Mill, North Andover, MA 01845 USA. Phone: 1.800.341.5266 1.978.682.6936
	THIRD-ANGLE PROJECTION 		
CONFIGURATION DETAILS OF UNDIMENSIONED FEATURES MAY VARY COLOR VARIATIONS MAY OCCUR		PRODUCT DESCRIPTION USB-C TO GIGABIT ETHERNET ADAPTER, C FEMALE TO RJ45 FEMALE	SCALE: NONE CAD FILE: RJ45-USBC-D.SLDDRW
SIZE A	CAGE CODE 43321	ITEM NO. RJ45-USBC-D	REV. A