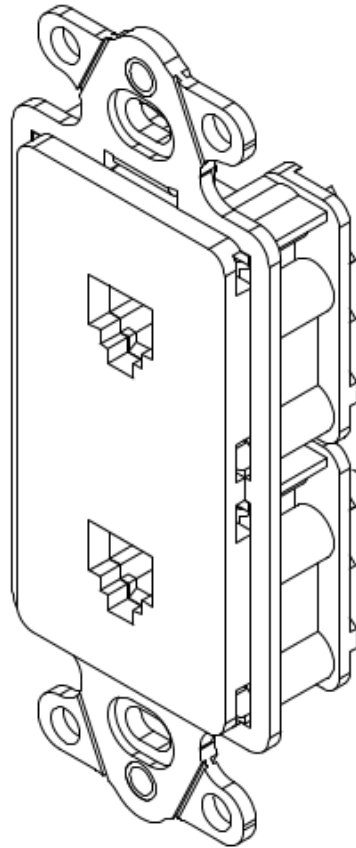


2 6P6C RJ-11 Voice Decorex Insert

PROTECT SEPARATION



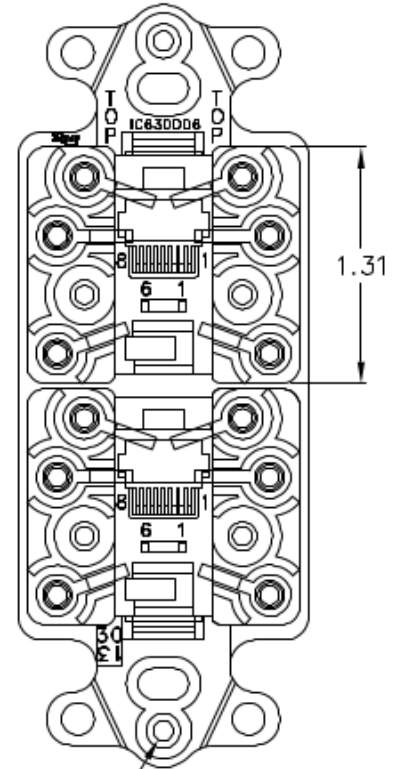
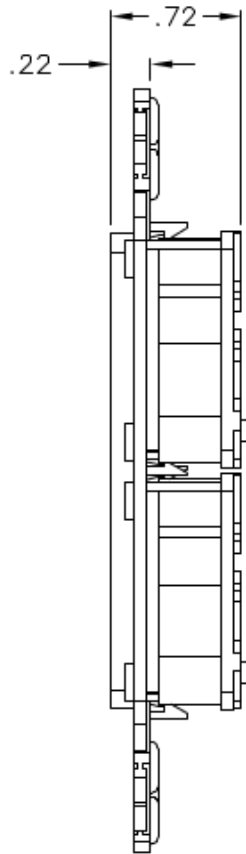
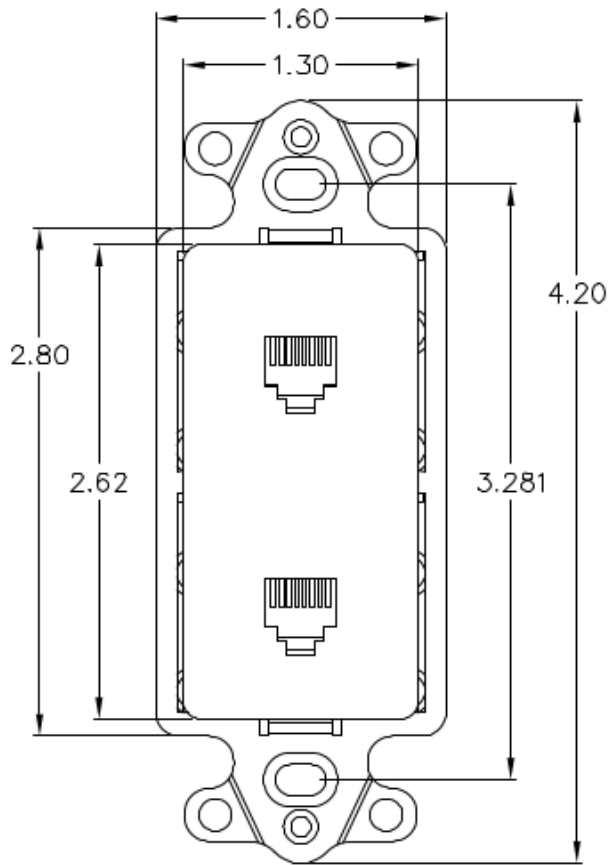
Package includes:

- A. 2 6P6C Voice Decorex Insert, 1 pc
- B. #6-32 x 3/4" Pan Head Machine Screw, 2 pcs

2 6P6C Voice Decorex Insert

Features and Benefits:

- Designed for all voice connectivity applications
- Designed to support a multitude of high tech communication needs with contemporary styling for residential or commercial applications
- Provided with traditional screw down terminals on the rear
- Fits standard NEMA electrical boxes
- Designed for a consistent look with standard decorator style faceplates
- Compatible with all IC107 Decorex faceplates
- Used with ICC ICLC2, ICLC4, and ICLC6 line cords
- Available in ivory and white
- UL listed



2X #6-32 THREADED BRASS INSERT

NOTE: UNLESS OTHERWISE SPECIFIED

1. HOUSING:

- A. MATERIAL: ABS, UL 94V-0
- B. FINISH: GLOSSY
- C. COLOR: XX: IV-IVORY & WH-WHITE

2. WIRING BLOCK:

A. MATERIAL & FINISH:

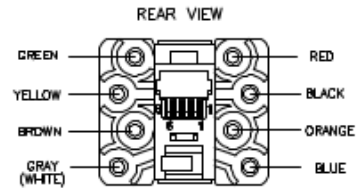
- HOUSING: ABS, UL 94V-0
- SPRING WIRE CONTACTS: PHOSPHOR BRONZE GOLD PLATING OVER 100 MICRO INCH NICKEL
- GOLD PLATING: 1.27 MICRON/50 MICRO INCH MIN
- WIRE LEADS: 26 AWG STRANDED WIRE
- TERMINATION SCREWS: #6-20 X .415 FLAT PAN HEAD TAPPING SCREWS WITH TWO WASHERS
15 LBS/INCH MIN TORQUE
ZINC CHROMATIC PLATED STEEL
- TERMINATION LUGS: BRASS

B. ELECTRICAL:

- CURRENT RATING: 1.5 AMP MAX
- DIELECTRIC WITHSTANDING VOLTAGE: 1,000 VOLTS RMS, 60 Hz
- CONTACT RESISTANCE: < 20 MILLIOHMS
- INSULATION RESISTANCE: > 10 MEGAOHMS
- PERFORMANCE: RETURN LOSS OF -20 dB MAX
FREQUENCY RANGE DC -1.5 GHz

C. MECHANICAL:

- TOTAL MATING FORCE: 500 GRAMS FOR 6 WIRES LEAD
- RETENTION: 17 LBS BETWEEN JACK AND PLUG
- CRIMP TENSILE STRENGTH: 4.0-500 LBS



WIRING DIAGRAM

JACK POSITION	WIRE COLOR
1	WHITE
2	BLACK
3	RED
4	GREEN
5	YELLOW
6	BLUE