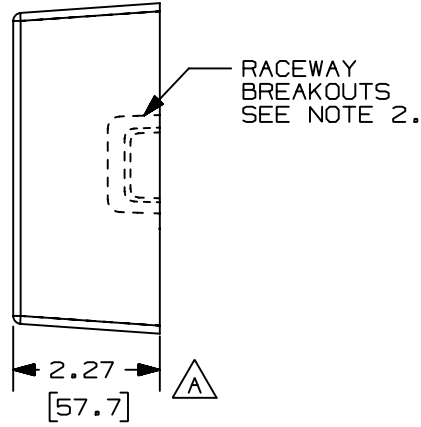
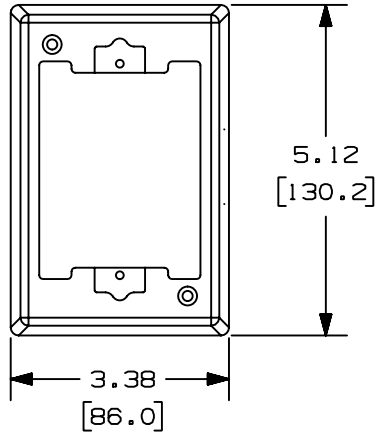
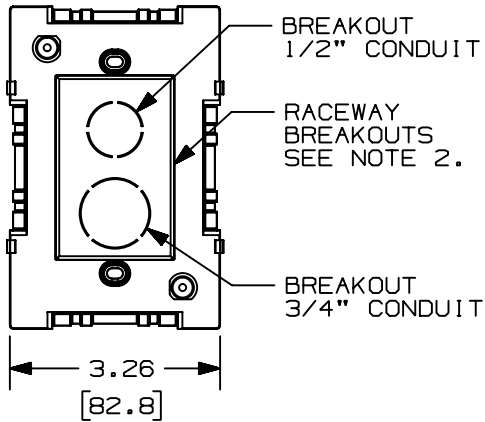


THIS COPY IS PROVIDED ON A RESTRICTED BASIS AND IS NOT TO BE USED IN ANY WAY DETRIMENTAL TO THE INTERESTS OF PANDUIT CORP.



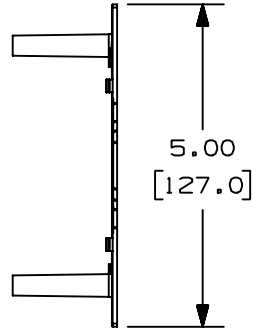
RACEWAY  
BREAKOUTS  
SEE NOTE 2.



BREAKOUT  
1/2" CONDUIT

RACEWAY  
BREAKOUTS  
SEE NOTE 2.

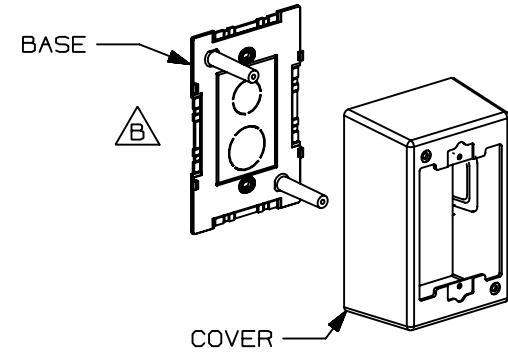
BREAKOUT  
3/4" CONDUIT



PANDUIT P/N	WEIGHT
JBP11	2.4 LB/10 PCS (1084 g/10 PCS)

NOTES:

1. SEE CURRENT CATALOG FOR ADDITIONAL PART SUFFIXES TO INDICATE COLOR AND OR PACKAGE QUANTITY.
2. BREAKOUTS FOR LD, LDS AND LDP RACEWAYS ARE PROVIDED ON ALL FOUR SIDES OF THE BASE AND COVER.
3. COVER IS EXTENDED OUT AND DOWN AROUND SIDES OF BASE WHEN ASSEMBLED.
4. DIMENSIONS IN PARENTHESES ARE IN METRIC.



CAD FILENAME/LAYERS D36402BG\_DC\_JBP11\_01B.prt

**PANDUIT** CORP. TINLEY PARK, ILLINOIS  
 INTERMEDIATE JUNCTION BOX  
 SINGLE GANG (JBP11)  
 CUSTOMER DRAWING

UNLESS OTHERWISE SPECIFIED,  
 DIMENSIONAL TOLERANCES ARE:  
 (.X) ± (.XXX) ±  
 (.XX) ±.03(.8) ANGLES ±

UNLESS OTHERWISE SPECIFIED,  
 ALL DIMENSIONS ARE GIVEN  
 IN INCHES, THIRD ANGLE PROJECTION.

REV	DATE	BY	CHK	DESCRIPTION	ECN	CHK	CUST	SUP
2	3-04-03	JBN		B. REVISED VIEW	36402-06			
1	3-31-99	DW	HIW	A. ADDED DIMENSION.	36402-06	HIW	HIW	
R	1-28-99	DW	HIW	RELEASED TO PRODUCTION.	36402-06	HIW	HIW	

DRAWN BY DW	MAT'L: PVC	SCALE NONE
DATE 1-28-99		DRAWING NO. 36402-06
CHECKED BY HIW		DWG A SIZE