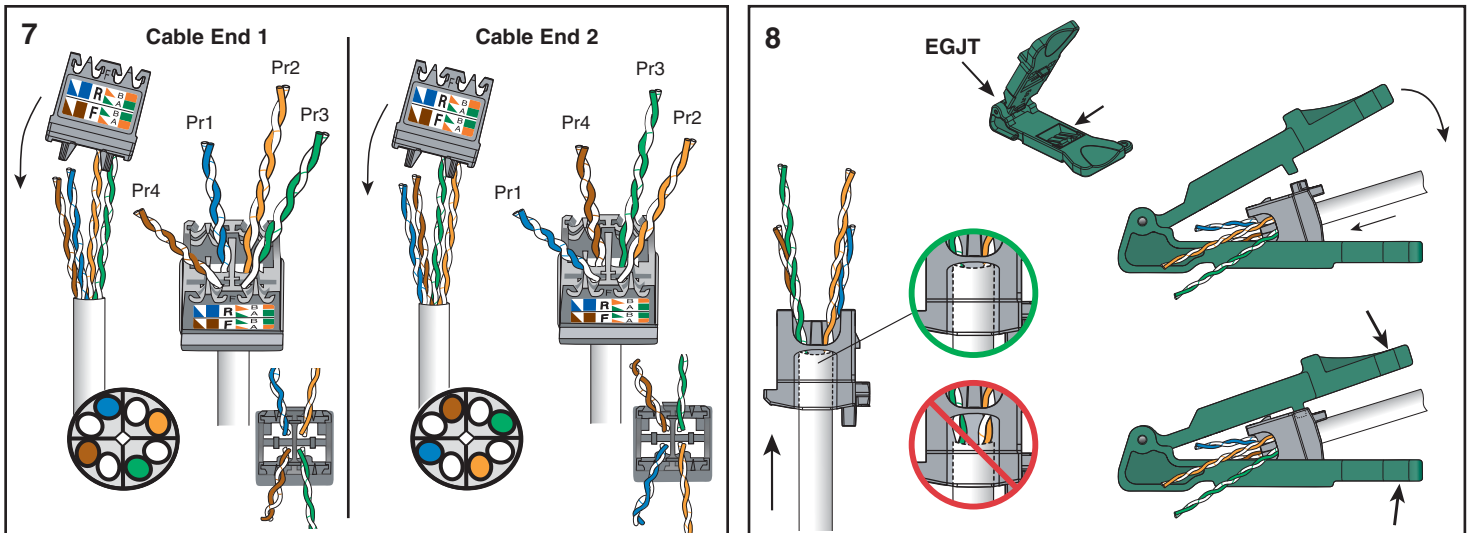
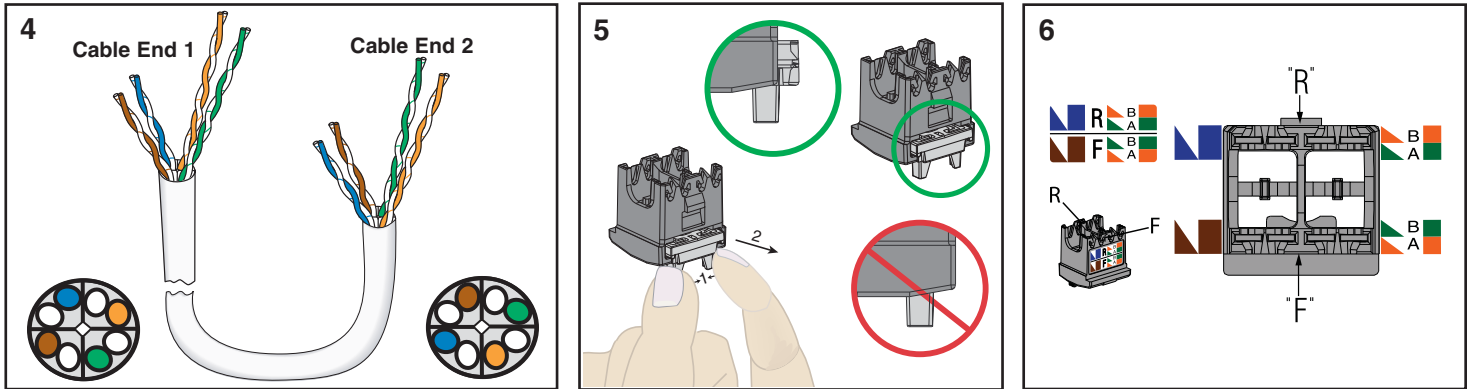
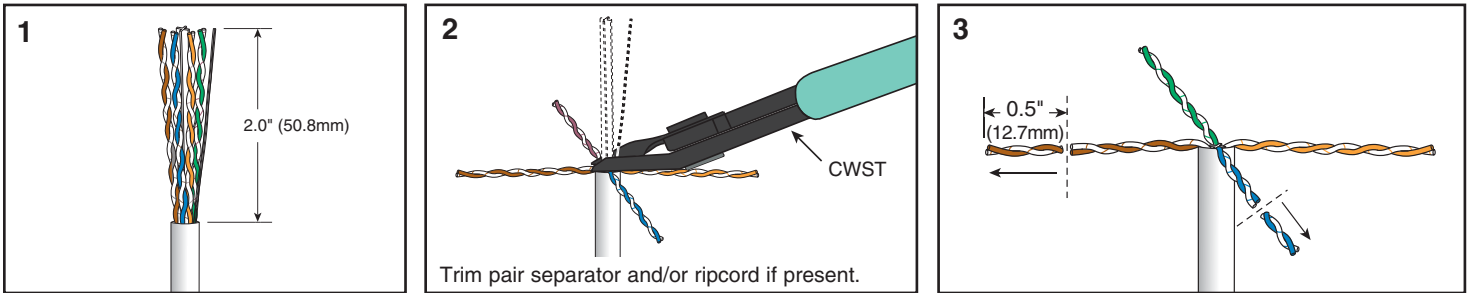




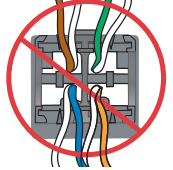
### TERMINATION STEPS



Note: For bulk packaged TG Style Jack Modules add -24 to end of part number.

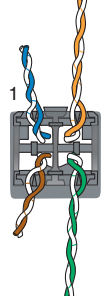
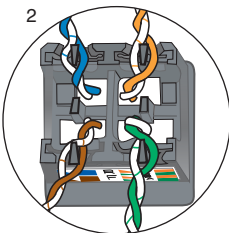
\*\* Denotes color.

**9**

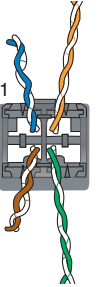
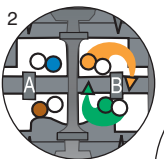
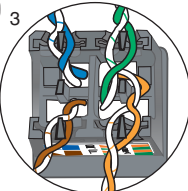
**T568B**

**Cable End 1**

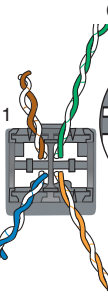
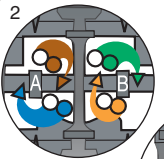
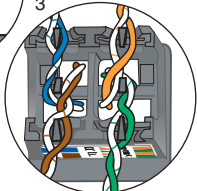



**T568A**

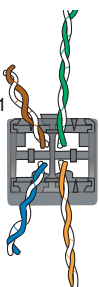
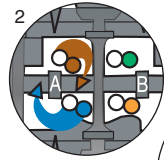
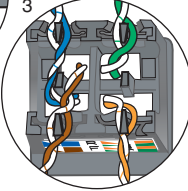
**Cable End 1**

**Cable End 2**

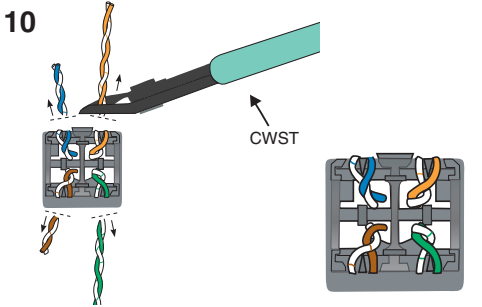




**Cable End 2**

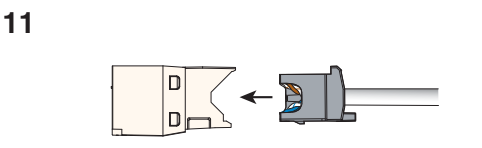




See note 4.

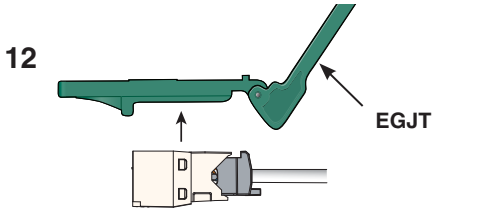
**10**



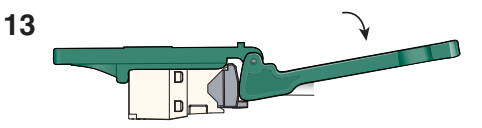
**11**



**12**

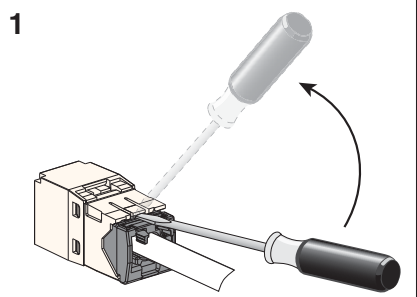


**13**

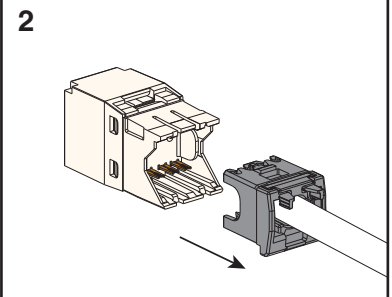


**REMOVAL STEPS**

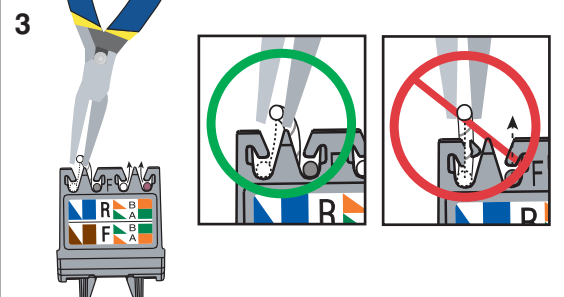
**1**



**2**



**3**



- Notes:**
- For specified performance, follow ANSI/NECA/BICSI-568-2006 installation guidelines.
  - Jack Modules can terminate 22-26 AWG solid or stranded IWC data cable with 0.062 (1.57 mm) maximum insulated conductor outside diameter.
  - Jack Modules may be re-terminated a minimum of 20 times.
  - On cable end 2 for A & B wiring and cable end 1 of A wiring, wrap the designated pairs around the proper center dividing post (A or B) and terminate in the proper location.
  - For technical and performance information, consult Panduit Technical Support.

- As with all Communication Components, the following statements apply:**
- Never install communications wiring during a lightning storm.
  - Never install communications wiring in wet locations unless the jack is specifically designed for use in wet locations.
  - Never touch uninsulated communications wiring or terminals unless the communication line has been disconnected at the network interface.
  - Use caution when installing or modifying communication wiring.

<p><b>For Instructions in Local Languages and Technical Support:</b></p> <p><a href="http://www.panduit.com/resources/install_maintain.asp">http://www.panduit.com/resources/install_maintain.asp</a></p>	 <p><a href="http://www.panduit.com">www.panduit.com</a></p>	<p><b>E-mail:</b> techsupport@panduit.com</p> <p><b>Phone:</b> 866-405-6654</p>
---	---	---