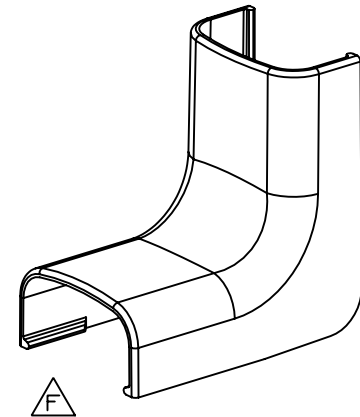
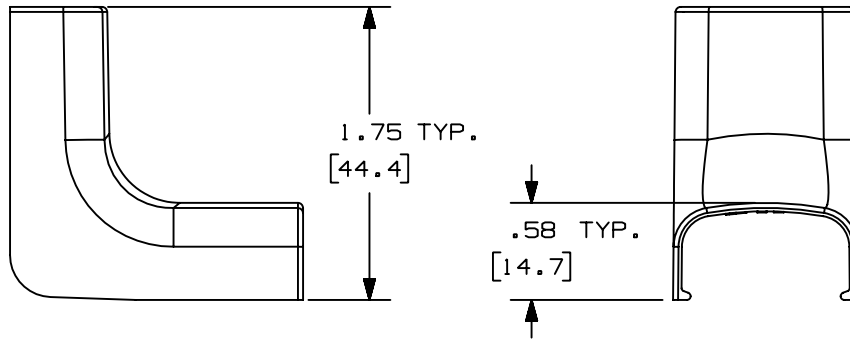
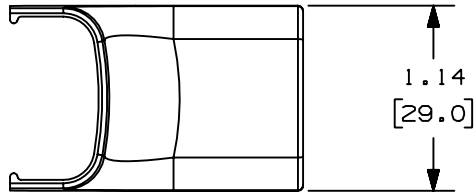


THIS COPY IS PROVIDED ON A RESTRICTED BASIS AND IS NOT TO BE USED IN ANY WAY DETRIMENTAL TO THE INTERESTS OF PANDUIT CORP.



$\triangle B$	PANDUIT P/N	WEIGHT
$\triangle C$	ICF5	0.97 LB/100 PCS. (440g/100 PCS.)

$\triangle D$  NOTES:

1. SEE CURRENT CATALOG FOR ADDITIONAL PART NUMBER SUFFIXES TO INDICATE COLOR AND OR PACKAGE QUANTITY.
2. DIMENSIONS IN PARENTHESIS ARE IN METRIC.

CAD FILENAME/LAYERS D34474BD\_DC\_ICF5\_01.prt

6	7-3-02	JHN/UMHI	F. REVISED MATERIAL IN DRAWING TITLE BLOCK.	16864	RGRD	RGRD	
5	8-28-00	MSO/HIW	E. REVISED AND REDRAWN ON CAD.	16864	HIW	HIW	
4	10-3-91	DW/CF	D. REVISED NOTE AND REMOVED COLOR FROM DRAWING.	16864		CF	
3	2-28-91	DW/CF	C. REVISED COLORS: OMIT BG, LI, LG. ADDED INT. WHITE AND INT. GRAY.	16864		WJB	
2	12-2-87	LDB/WJB	B. ADDED PART NUMBERS ICF5E1 AND ICF5L1.	16864		WJB	
1	5-14-82	KJS/JK	A. POLYSTYRENE WAS ABS.			JAK	
R	9-14-81	KJS/HP	DRAWING RELEASED			HP	
REV	DATE	BY	CHK	DESCRIPTION	ECN	R	CUST SUP

PANDUIT CORP. TINLEY PARK, ILLINOIS  
INSIDE CORNER FITTING (ICF5)  
CUSTOMER DRAWING

UNLESS OTHERWISE SPECIFIED, DIMENSIONAL TOLERANCES ARE:  
(.X) ± (.XXX) ±  
(.XX) ± .03 (.8) ANGLES ±

UNLESS OTHERWISE SPECIFIED, ALL DIMENSIONS ARE GIVEN IN INCHES, THIRD ANGLE PROJECTION.

DRAWN BY KJS MAT'L: ABS  $\triangle F$   
DATE 9-2-81  
CHK'D JK  $\triangle A$

SCALE FULL  
DRAWING NO. SS-16864 DWG SIZE A