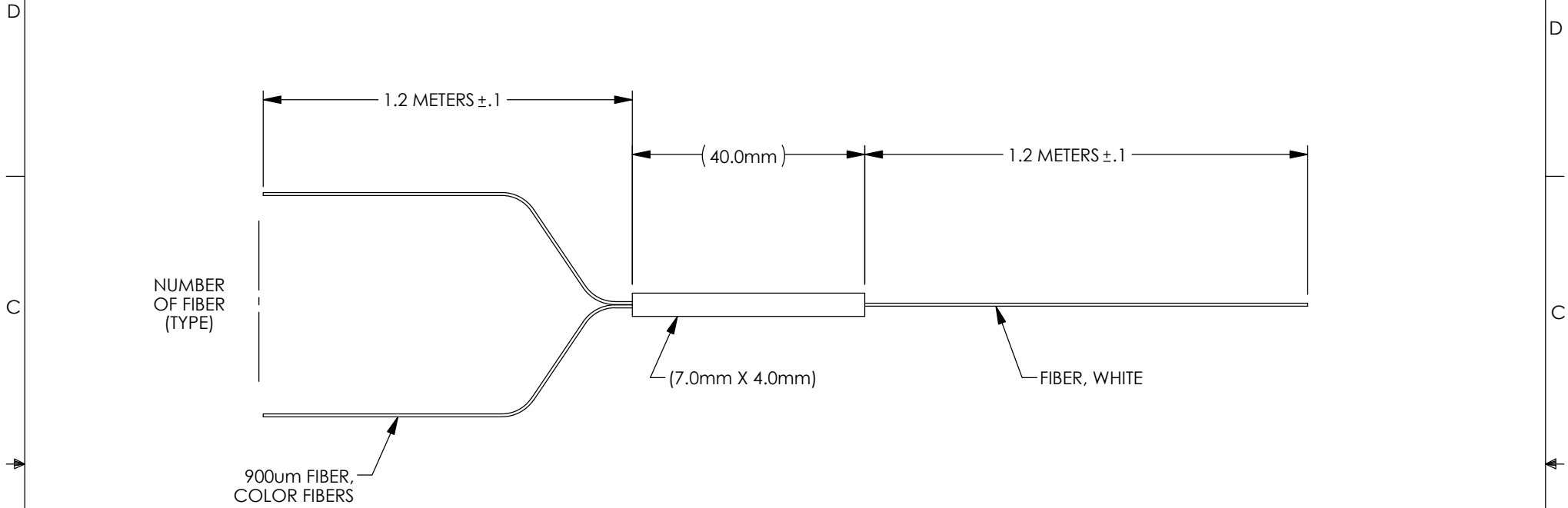


THE INFORMATION CONTAINED IN THIS DRAWING IS THE SOLE PROPERTY OF L-COM, INC. ANY REPRODUCTION IN PART OR WHOLE WITHOUT THE WRITTEN PERMISSION OF L-COM, INC. IS PROHIBITED.



REVISIONS			
REV	DESCRIPTION	DATE	APPROVED
A	INITIAL RELEASE	11/16/2020	PHOSPODAR



MODEL NUMBER	TYPE	OPERATING WAVELENGTH
PP5P-04BSS-15NN	1 X 4	1260nm-1650nm
PP5P-08BSS-15NN	1 X 8	
PP5P-16BSS-15NN	1 X 16	
PP5P-32BSS-15NN	1 X 32	

NOTES:

- STANDARD SPLIT: 50/50
- OPERATING TEMPERATURE RANGE: -40° C ~ +85° C
- CABLE ASSEMBLY SHALL BE INDIVIDUALLY PACKAGED IN ACCORDANCE WITH L-COM SPECIFICATION PS-0031.

UNLESS OTHERWISE SPECIFIED, DIMENSIONS ARE IN INCHES [mm] OVERALL CABLE LENGTH TOLERANCE: ≤12 [305] = +1 [25] / -0 >12 [305] ≤60 [1524] = +2 [51] / -0 >60 [1524] ≤120 [3048] = +4 [102] / -0 >120 [3048] ≤300 [7620] = +6 [152] / -0 >300 [7620] = +5% / -0 ALL OTHER DIMENSIONAL TOLERANCES: .X = ±.2 [5]      FRACTIONS ± 1/32 .XX = ±.02 [.5]      ANGLES ± 1° .XXX = ±.005 [.13]	APPROVALS	DATE	 50 High Street, West Mill, North Andover, MA 01845 USA. Phone: 1.800.341.5266 1.978.682.6936
	DRAWN BY DFRISIELLO CHECKED BY PHOSPODAR APPROVED BY PHOSPODAR	11/16/2020 11/16/2020 11/16/2020	
THIRD-ANGLE PROJECTION 	CONFIGURATION DETAILS OF UNDIMENSIONED FEATURES MAY VARY COLOR VARIATIONS MAY OCCUR	PRODUCT DESCRIPTION Passive PLC Field Unit PLC Splitter (Even) Split 1.0m 900um colored fiber no connector	SCALE: NONE    CAD FILE: PP5P-xxxx-15NN.SLDDRW    SHEET 1 OF 1
SIZE <b>A</b>		CAGE CODE <b>43321</b>	ITEM NO. PP5P-xxxx-15NN