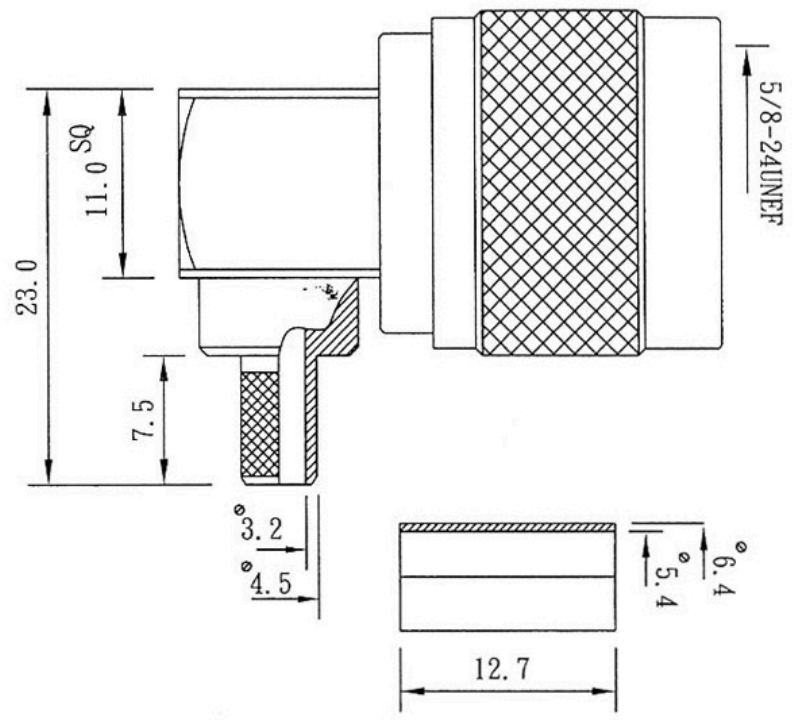
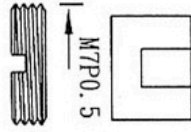


Show Me CABLES

REVISIONS				
ZONE	REV	DESCRIPTION	DATE	APPROVED



Impedance	50 Ω
Frequency range	0 - 11 GHz
Voltage rating	1500 volts peak
Dielectric withstanding voltage	2500 volts rms
VSWR	M39012 straight connectors: 1.3 max. 0-11.0GHz M39012 right angle: 1.35 max. 0-11.0GHz
Other (MIL-C-39012 Cable Connectors)	Contact resistance: center contact 1.0 milliohm outer contact 0.2 milliohm Insertion loss: 0.15db max at 10 GHz Insulation resistance: 5000 megohms(min)

Nut	Brass	Nickel
Support	Delrin	White
Ferrule	Brass	Nickel
Shell	Brass	Nickel
Insulator	Teflon	White
Contact	Brass	Gold
Body	Brass	Nickel
Description	Material	Finish

N JACK R/A CRIMP FOR RG/58U CABLE

BY	DATE		
DRAWN			
CHK'D			
APPRV		PART NO	
MATERIAL	SEE NOTES		
FINISH	SEE NOTES	UNITS	SHEET
		mm	1 OF 1
		SCALE	NONE