

6

5

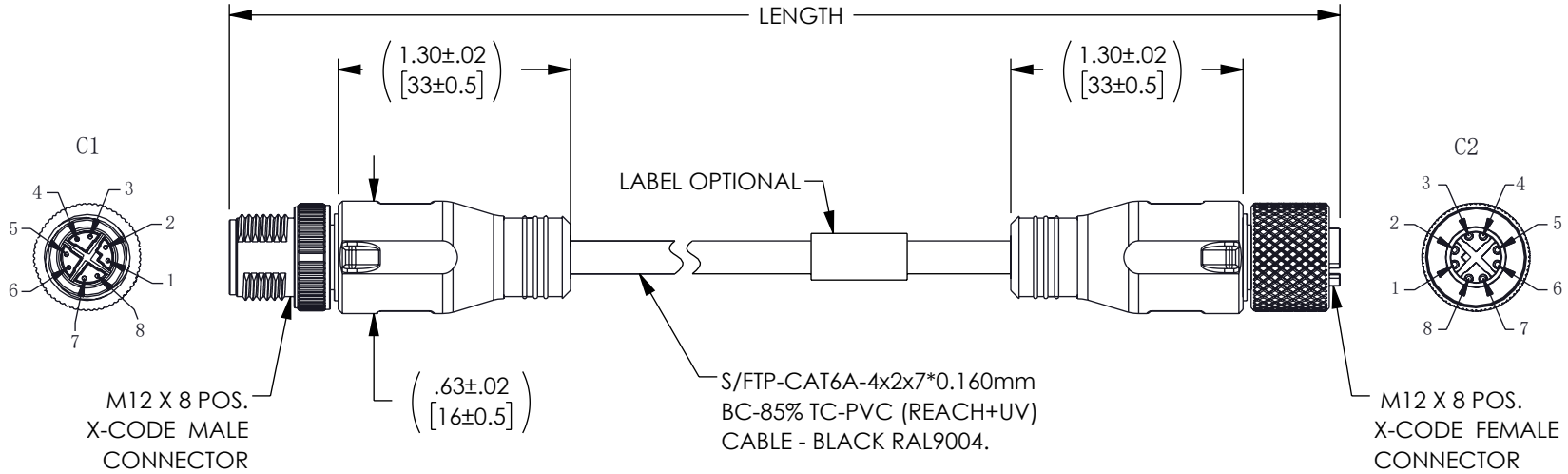
4

3

2

1

REVISION					
ZONE	REV.	DESCRIPTION	DATE	CHANGED BY	APPROVED BY
	A	INITIAL RELEASE	02/07/2023	PSRINIVAS	DGUTTADAURO



M12 X 8 POS.
X-CODE MALE
CONNECTOR

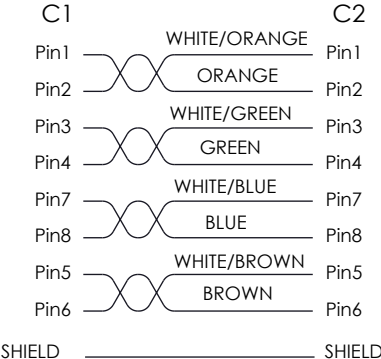
LABEL OPTIONAL

S/FTP-CAT6A-4x2x7*0.160mm
BC-85% TC-PVC (REACH+UV)
CABLE - BLACK RAL9004.

M12 X 8 POS.
X-CODE FEMALE
CONNECTOR

PART NUMBER	LENGTH	
	FEET	METERS
M12 X 8 SFTP-MF-3	3	0.9 ± .02
M12 X 8 SFTP-MF-6	6	1.8 ± .04
M12 X 8 SFTP-MF-10	10	3.0 ± .05

WIRING DIAGRAM



NOTE:

- CABLE ASSEMBLIES TO BE TESTED FOR CONTINUITY.
- CABLE ASSEMBLY SHALL BE INDIVIDUALLY PACKAGED.

REGULATORY COMPLIANCE:

EU RoHS DIRECTIVE (MOST RECENT RELEASED VERSION)

UNLESS OTHERWISE SPECIFIED
LEADING DIMENSIONS ARE INCHES
DIMENSIONS IN [] ARE MILLIMETERS

TOLERANCES:

.X = ±.2 [5]	FRACTIONS
.XX = ±.02 [.5]	± 1/32
.XXX = ±.005 [.13]	ANGLES ± 1°

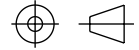
CABLE LENGTH TOLERANCES:

>12 [305] = +1 [25] / -0
>12 [305] ≤ 60 [1524] = +2 [51] / -0
>60 [1524] ≤ 120 [3048] = +4 [102] / -0
>120 [3048] ≤ 300 [7620] = +6 [152] / -0
>300 [7620] = +5% / -0

ALL DIMENSIONS ARE FOR REFERENCE ONLY
AND SUBJECT TO CHANGE WITHOUT NOTICE.



an INFINITO brand
Website: www.ShowMeCables.com
Phone: 1.888.519.9505



INTERPRET ALL DIMENSIONS AND TOLERANCES PER ASME Y14.5

SCALE	SHEET
NONE	1 OF 1

DESCRIPTION
SHOWMECABLES M12 8 POSITION X-CODE CABLE, S/FTP JACKET, MALE/FEMALE, 10 FEET

SIZE	CAGE CODE	DRAWN BY	ITEM NO.	REV
A	3SVT8	PSRINIVAS	M12X8SFTP-MF-10	A

THE INFORMATION CONTAINED IN THIS DRAWING IS THE SOLE PROPERTY OF INFINITE ELECTRONICS, INC. ANY REPRODUCTION IN PART OR WHOLE WITHOUT THE WRITTEN PERMISSION OF INFINITE ELECTRONICS, INC. IS PROHIBITED. THESE COMMODITIES, TECHNOLOGY OR SOFTWARE WERE EXPORTED FROM THE UNITED STATES IN ACCORDANCE WITH THE EXPORT ADMINISTRATION REGULATIONS. DIVERSION CONTRARY TO U.S. LAW PROHIBITED.

6

5

4

3

2

1