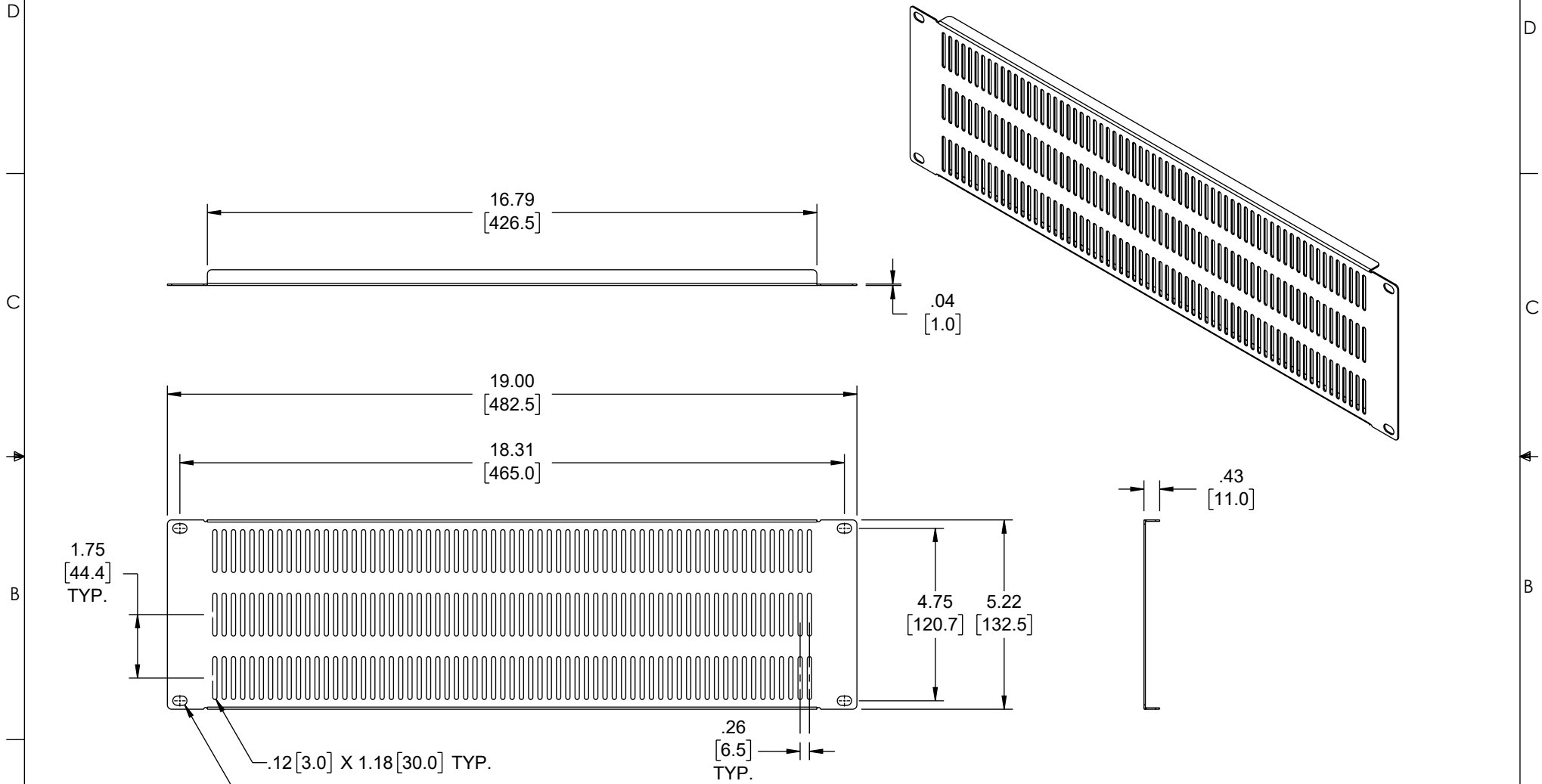


THE INFORMATION CONTAINED IN THIS DRAWING IS THE SOLE PROPERTY OF L-COM, INC. ANY REPRODUCTION IN PART OR WHOLE WITHOUT THE WRITTEN PERMISSION OF L-COM, INC. IS PROHIBITED.

REVISION					
ZONE	REV	DESCRIPTION	DATE	CHANGED BY	APPROVED
	A	INITIAL RELEASE	06/23/2023	HBAKKE	THOUGHTON



1.75 [44.4] TYP.

.12 [3.0] X 1.18 [30.0] TYP.

4X .26 [6.5] X .39 [10.0]

UNLESS OTHERWISE SPECIFIED, DIMENSIONS ARE IN INCHES [mm]

OVERALL CABLE LENGTH TOLERANCE:
 ≤12 [305] = +1 [25] / -0
 >12 [305] ≤60 [1524] = +2 [51] / -0
 >60 [1524] ≤120 [3048] = +4 [102] / -0
 >120 [3048] ≤300 [7620] = +6 [152] / -0
 >300 [7620] = +5% / -0

ALL OTHER DIMENSIONAL TOLERANCES:
 .X = ± .2 [5] | FRACTIONS ± 1/32
 .XX = ± .02 [5] | ANGLES ± 1°
 .XXX = ± .005 [13]

THIRD-ANGLE PROJECTION

APPROVALS	DATE
DRAWN BY HBAKKE	06/23/2023
CHECKED BY DMAY	06/23/2023
APPROVED BY JWASKE	06/23/2023

CONFIGURATION DETAILS OF UNDIMENSIONED FEATURES MAY VARY

COLOR VARIATIONS MAY OCCUR

		50 High Street, West Mill, North Andover, MA 01845 USA. Phone: 1.800.341.5266 1.978.682.6936	
CATEGORY RACK ACCESSORIES		PRODUCT DESCRIPTION 19" Perf Blank Panel 3U - RAL9003 -Signal White	
SIZE A	CAGE CODE 43321	ITEM NO. LC-SWMD3UPNLB-W	REV. A
SCALE: NONE		CAD FILE: LC-SWMD3UPNLB-W_LC.SLDDRW	
		SHEET 1 OF 1	