

THE INFORMATION CONTAINED IN THIS DRAWING IS THE SOLE PROPERTY OF L-COM, INC. ANY REPRODUCTION IN PART OR WHOLE WITHOUT THE WRITTEN PERMISSION OF L-COM, INC. IS PROHIBITED.

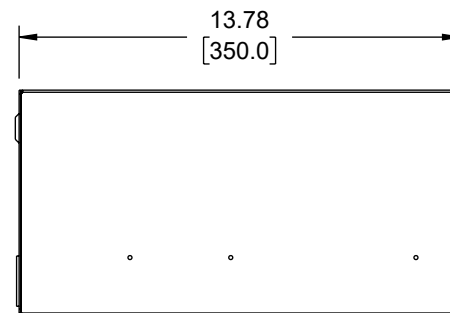
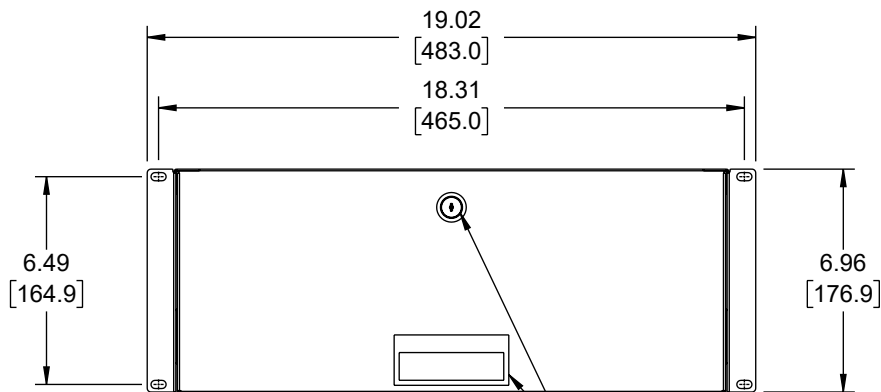
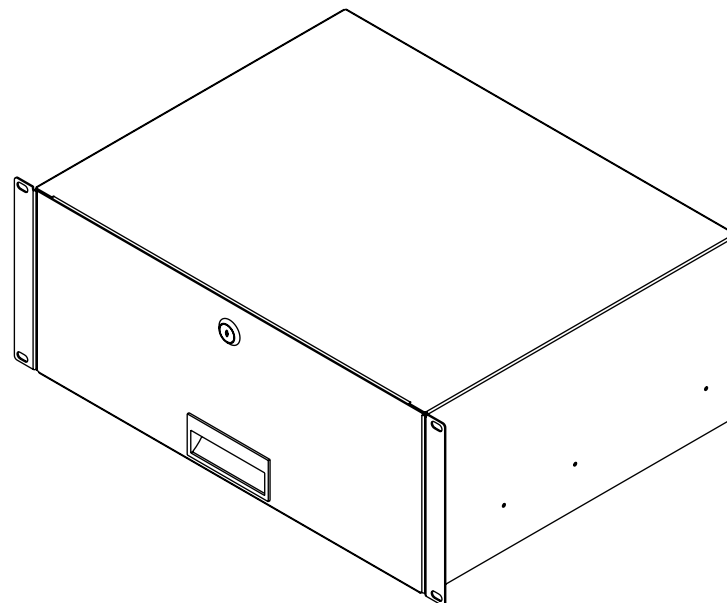
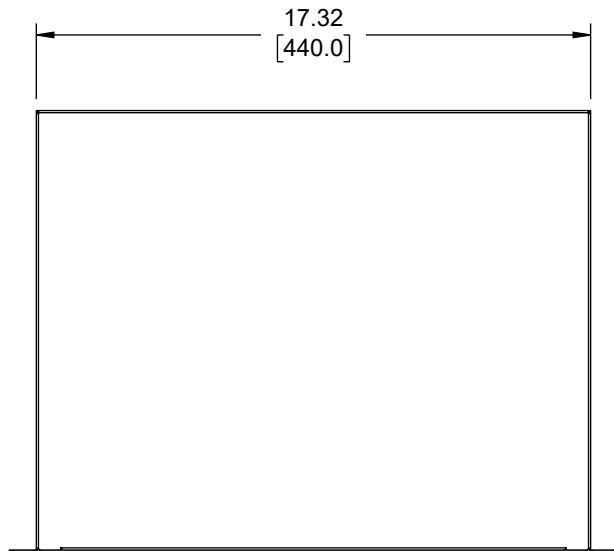
REVISION					
ZONE	REV	DESCRIPTION	DATE	CHANGED BY	APPROVED
	A	INITIAL RELEASE	06/22/2023	HBAKKE	THOUGHTON

D

C

B

A



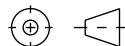
LOCKABLE WITH RECESSED HANDLE

UNLESS OTHERWISE SPECIFIED, DIMENSIONS ARE IN INCHES [mm]

OVERALL CABLE LENGTH TOLERANCE:  
 ≤12 [305] = +1 [25] / -0  
 >12 [305] ≤60 [1524] = +2 [51] / -0  
 >60 [1524] ≤120 [3048] = +4 [102] / -0  
 >120 [3048] ≤300 [7620] = +6 [152] / -0  
 >300 [7620] = +5% / -0

ALL OTHER DIMENSIONAL TOLERANCES:  
 .X = ± .2 [5] | FRACTIONS ± 1/32  
 .XX = ± .02 [5] | ANGLES ± 1°  
 .XXX = ± .005 [1.3]

THIRD-ANGLE PROJECTION



APPROVALS	DATE
DRAWN BY HBAKKE	06/22/2023
CHECKED BY DMAY	06/22/2023
APPROVED BY JWASKE	06/22/2023



50 High Street, West Mill,  
 North Andover, MA 01845 USA.  
 Phone: 1.800.341.5266  
 1.978.682.6936

CATEGORY  
**RACK ACCESSORIES**

PRODUCT DESCRIPTION  
**19" Rack Mount Drawer 4U 13.7in (350mm)-  
 RAL9003 -Signal White**

CONFIGURATION DETAILS OF UNDIMENSIONED FEATURES MAY VARY

COLOR VARIATIONS MAY OCCUR

SIZE	CAGE CODE	ITEM NO.	REV.
<b>A</b>	<b>43321</b>	<b>LC-SWADR3504U-W</b>	<b>A</b>

SCALE: NONE | CAD FILE: LC-SWADR3504U-W\_LC.SLDDRW | SHEET 1 OF 1