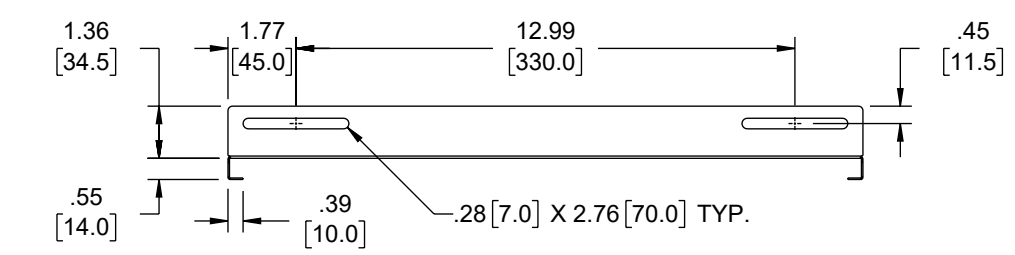
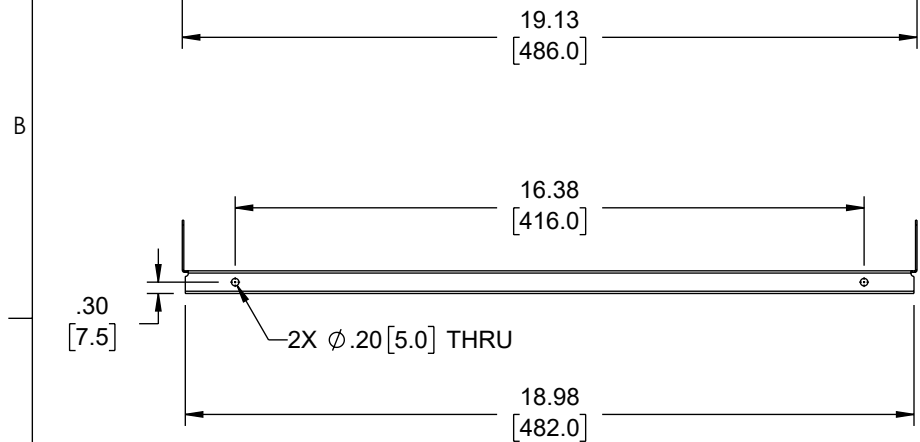
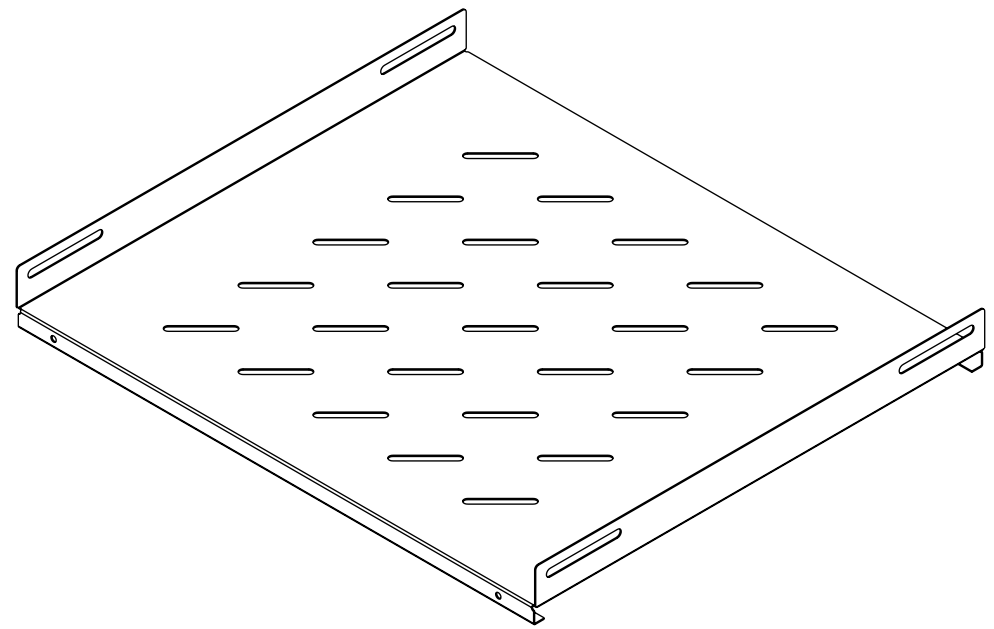
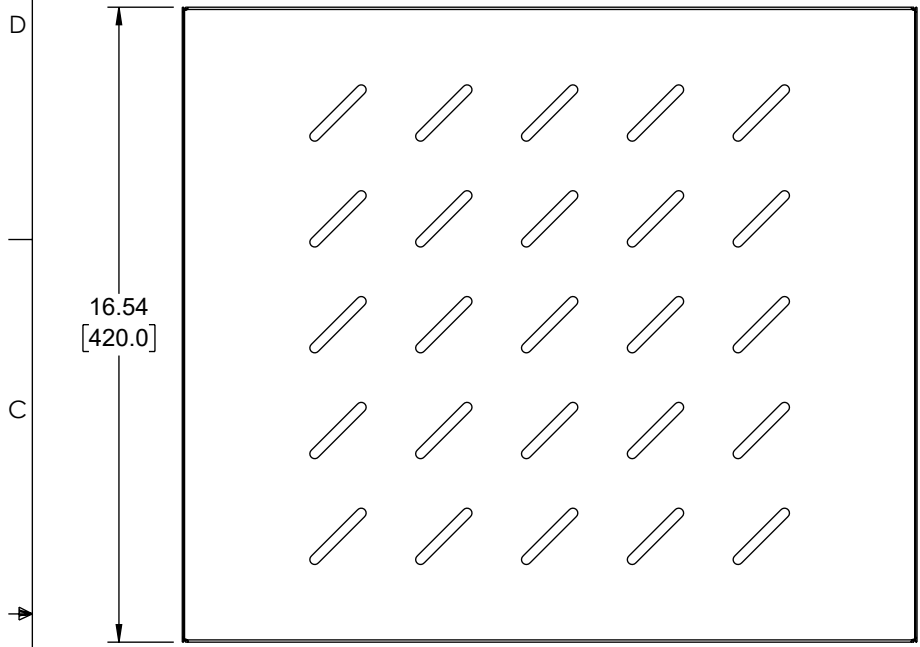


THE INFORMATION CONTAINED IN THIS DRAWING IS THE SOLE PROPERTY OF L-COM, INC. ANY REPRODUCTION IN PART OR WHOLE WITHOUT THE WRITTEN PERMISSION OF L-COM, INC. IS PROHIBITED.

REVISION					
ZONE	REV	DESCRIPTION	DATE	CHANGED BY	APPROVED
	A	INITIAL RELEASE	06/23/2023	HBAKKE	THOUGHTON



<p>UNLESS OTHERWISE SPECIFIED, DIMENSIONS ARE IN INCHES [mm]</p> <p>OVERALL CABLE LENGTH TOLERANCE: ≤12 [305] = +1 [25] / -0 >12 [305] ≤60 [1524] = +2 [51] / -0 >60 [1524] ≤120 [3048] = +4 [102] / -0 >120 [3048] ≤300 [7620] = +6 [152] / -0 >300 [7620] = +5% / -0</p> <p>ALL OTHER DIMENSIONAL TOLERANCES: .X = ± .2 [5] FRACTIONS ± 1/32 .XX = ± .02 [5] ANGLES ± 1° .XXX = ± .005 [13]</p> <p>THIRD-ANGLE PROJECTION</p>	APPROVALS	DATE	<p>50 High Street, West Mill, North Andover, MA 01845 USA. Phone: 1.800.341.5266 1.978.682.6936</p>	<p>CATEGORY</p> <p>RACK ACCESSORIES</p>	
	<p>DRAWN BY HBAKKE</p> <p>CHECKED BY DMAY</p> <p>APPROVED BY JWASKE</p>	<p>06/23/2023</p> <p>06/23/2023</p> <p>06/23/2023</p>			<p>PRODUCT DESCRIPTION</p> <p>19" Cabinet Shelf 1U with 16" (420mm) Depth- RAL9003 -Signal White</p>
	<p>CONFIGURATION DETAILS OF UNDIMENSIONED FEATURES MAY VARY</p>	<p>COLOR VARIATIONS MAY OCCUR</p>	<p>SIZE A</p>	<p>CAGE CODE 43321</p>	<p>ITEM NO. LC-SW4PSH-420-W</p>
			<p>SCALE: NONE</p>	<p>CAD FILE: LC-SW4PSH-420-W_LC.SLDDRW</p>	<p>SHEET 1 OF 1</p>