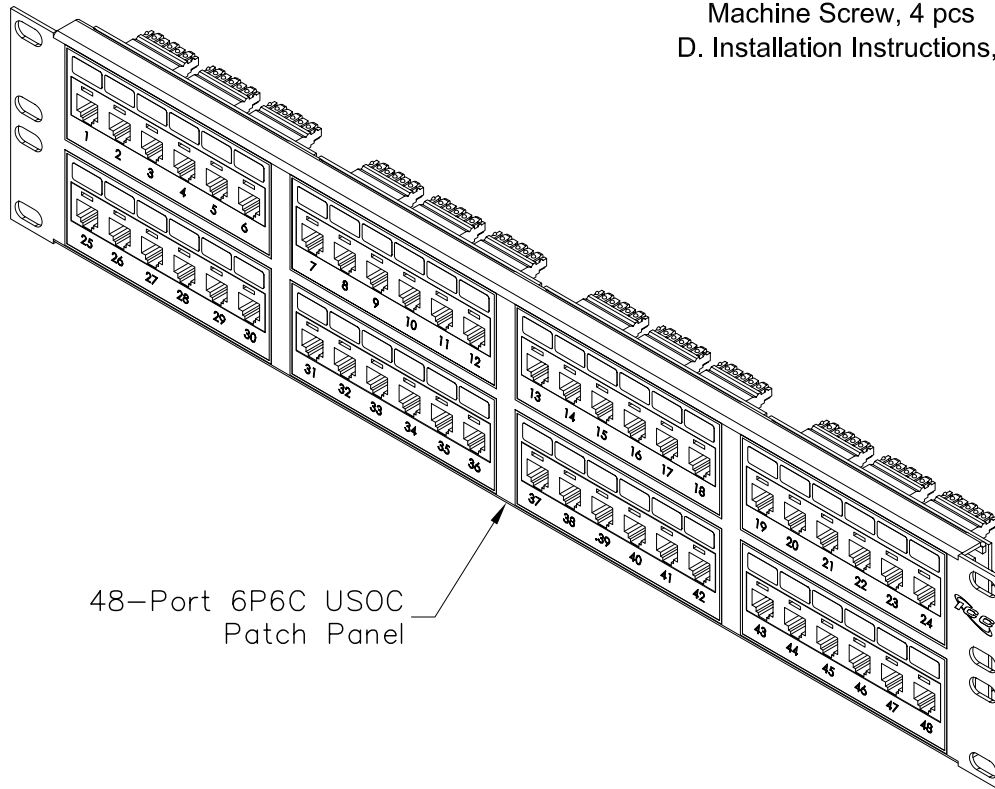


48-Port 6P6C USOC Patch Panel

PRODUCT SPECIFICATION

Package includes:

- A. 48-Port 6P6C USOC Patch Panel, 1 pc
- B. 6" Cable Tie, 10 pcs
- C. #12-24 x 5/8" Pan Head, Pilot Point Machine Screw, 4 pcs
- D. Installation Instructions, 1 sheet



48-Port 6P6C USOC Patch Panel

Features and Benefits:

- Rack mounted 6-position 6-conductor USOC patch panel provides voice connectivity applications
- Engineered to provide 110 IDC termination reducing installation time
- Includes color coded 110 connecting block
- Designed to fit all standard 19" racks and cabinets
- 2 rack mount space (RMS)
- Used with ICLC2, ICLC4, and ICLC6 line cords and ICACSPDT00 110 punch down tool
- Installation instructions #MSR-0262 included
- UL listed

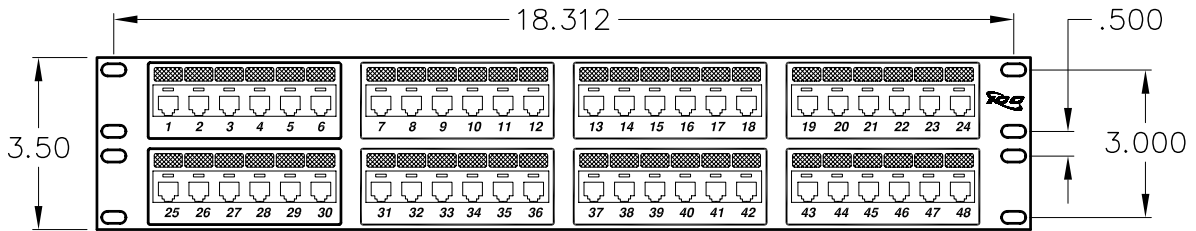
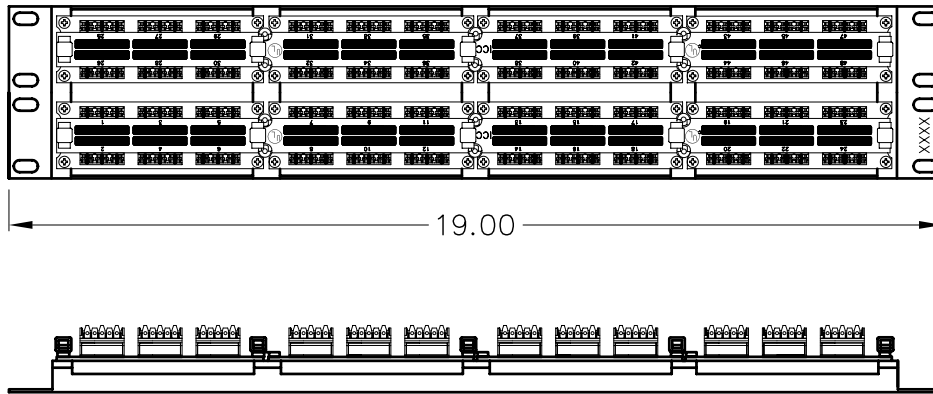
PATCH PANEL, USOC, 6P6C, 48-PORT, 2 RMS

ITEM NO.	ICMPP048U6
DWG NO.	PSMPP048U6

REV.	A
PAGE NO.	1



CUSTOMER CARE / TECHNICAL SUPPORT * CSR@ICC.COM / 888-ASK-4-ICC (275-4422) * 16800 Edwards Road, Cerritos, CA 90703 * Phone 562-356-3111 * Fax 562-356-3100 * www.icc.com



NOTE: UNLESS OTHERWISE SPECIFIED

1. 48-PORT 6P6C USOC PATCH PANEL:

A. MATERIAL:

- 48-PORT PATCH PANEL: 16 GA CRS
- JACK HOUSING: ABS, UL 94V-0
- SPRING WIRE: SQUARE SPRING WIRE, TEMPERED PHOSPHOR BRONZE
- 110 CONNECTOR: COPPER ALLOY, 100 MICRO INCHES OF BRIGHT SOLDER
OVER 100 MICRO INCHES OF NICKEL UNDERPLATE
- GOLD RATING: 50 MICRO INCHES OF GOLD OVER 100 MICRO INCHES OF NICKEL
- BACK INSERT: PVC

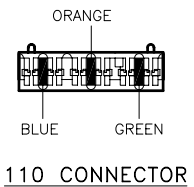
B. SURFACE FINISH: BLACK POWDER COAT

C. MECHANICAL:

- MATING FORCE: 100 GRAMS MIN/CONTACT
- TEMPERATURE RANGE: -40°~150°F (-40°~66°C)
- PLUG RETENTION IN JACK: 30 LBS (133N) MIN

D. ELECTRICAL:

- CURRENT RATING: 1.5 AMP DC
- D.C. RESISTANCE: .1 OHM MAX
- CONTACT RESISTANCE: 5 MILOHMS




110 CONNECTOR

WIRING DIAGRAM:

6 POS. 6 COND.	110 CONNECTOR	COLOR
4	1	WHITE/BLUE
3	2	BLUE
2	3	WHITE/ORANGE
5	4	ORANGE
1	5	WHITE/GREEN
6	6	GREEN

UL US FILE NO. 125268

PATCH PANEL, USOC, 6P6C, 48-PORT, 2 RMS		 Premium Products Proven Performance Competitive Prices
ITEM NO. ICMPPO48U6	REV. A	
DWG NO. PSMPP048U6	PAGE NO. 2	

CUSTOMER CARE / TECHNICAL SUPPORT * CSR@ICC.COM / 888-ASK-4-ICC (275-4422) * 16800 Edwards Road, Cerritos, CA 90703 * Phone 562-356-3111 * Fax 562-356-3100 * www.icc.com