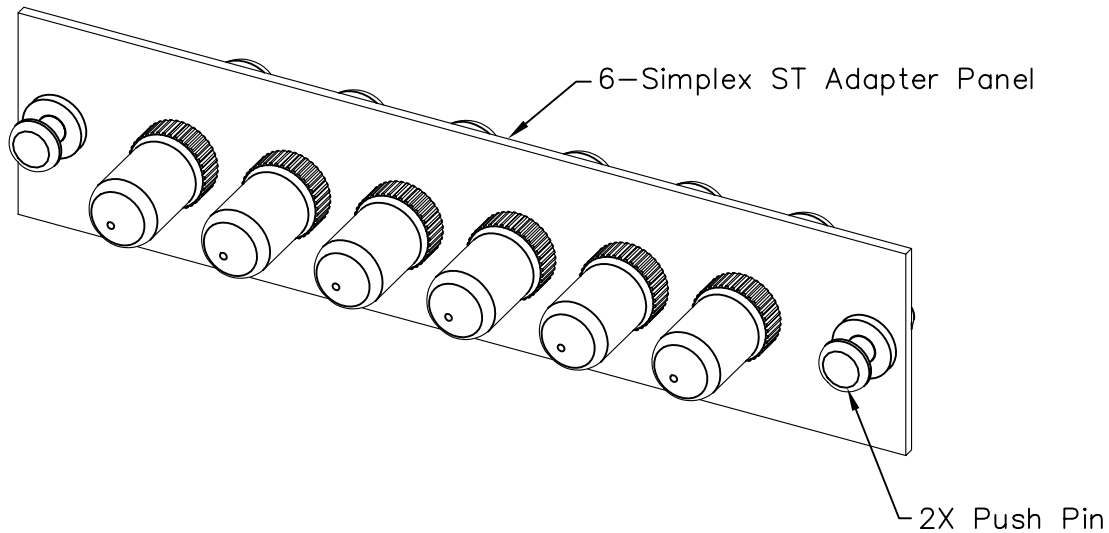


6-Simplex ST Adapter Panel (Ceramic Sleeve)

PRODUCT SPECIFICATION

Package includes:

- A. 6-Simplex ST Adapter Panel, 1 pc
- B. Push Pin, 2 pcs



Features and Benefits:

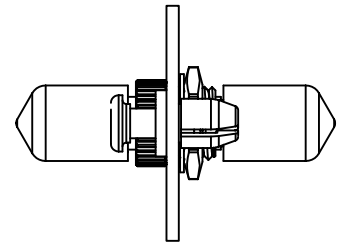
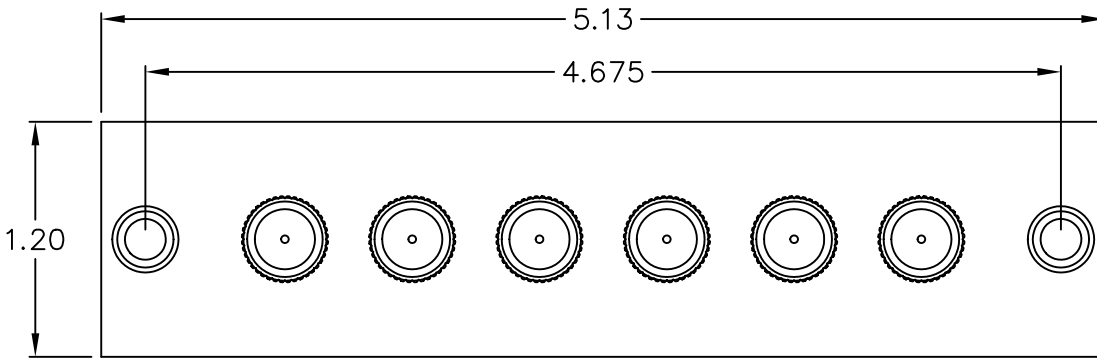
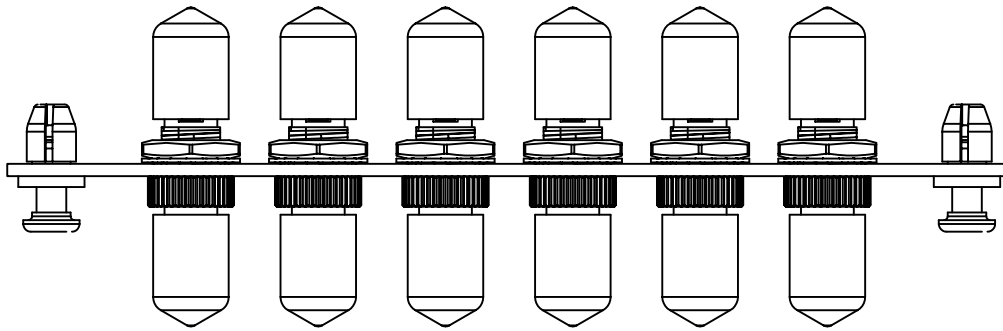
- Viable solution for high speed data transmission and broadband internet
- Provides a safe and secure means for connecting fiber optic cables between external distribution and the active components
- Provides an easy to use method of connecting and routing fiber optic circuits with neat and clean appearance
- Holds 6 ICFOA7SM02 simplex ST fiber optic adapters providing connections for up to 6 fibers
- Push pins provide a secure and snug fit
- Designed to fit ICFORPP1RM and ICFORPP2RM blank fiber optic patch panels, ICFOR fiber optic rack mount enclosures, and ICFOF fiber optic wall mount enclosures
- Available in black

ADAPTER PANEL, 6-SIMPLEX ST, CERAMIC, BLACK

ITEM NO.	ICFOPT26BK	REV.	A
DWG NO.	PSFOPT26BK	PAGE NO.	1




CUSTOMER CARE / TECHNICAL SUPPORT * CSR@ICC.COM / 888-ASK-4-ICC (275-4422) * 14700 Alondra Blvd., La Mirada, CA 90638 * www.icc.com



NOTE: UNLESS OTHERWISE SPECIFIED

1. 6-PORT BLANK SIMPLEX ST ADAPTER PANEL:
 - A. MATERIAL: 16 GA GALVANNEALED STEEL
 - B. SURFACE FINISHING: BLACK POWDER COAT
 - C. COLOR: BK: BLACK
2. SIMPLEX ST ADAPTER:
 - A. MATERIAL:
 - ADAPTER BODY: NICKEL PLATED ZINC ALLOY
 - SLEEVE: ZIRCONIA
 - NUT & WASHER: NICKEL PLATED STEEL
 - DUST CAP: RUBBER

ADAPTER PANEL, 6-SIMPLEX ST, CERAMIC, BLACK			
ITEM NO.	ICFOPT26BK		
DWG NO.	PSFOPT26BK	PAGE NO.	2

CUSTOMER CARE / TECHNICAL SUPPORT * CSR@ICC.COM / 888-ASK-4-ICC (275-4422) * 14700 Alondra Blvd., La Mirada, CA 90638 * www.icc.com