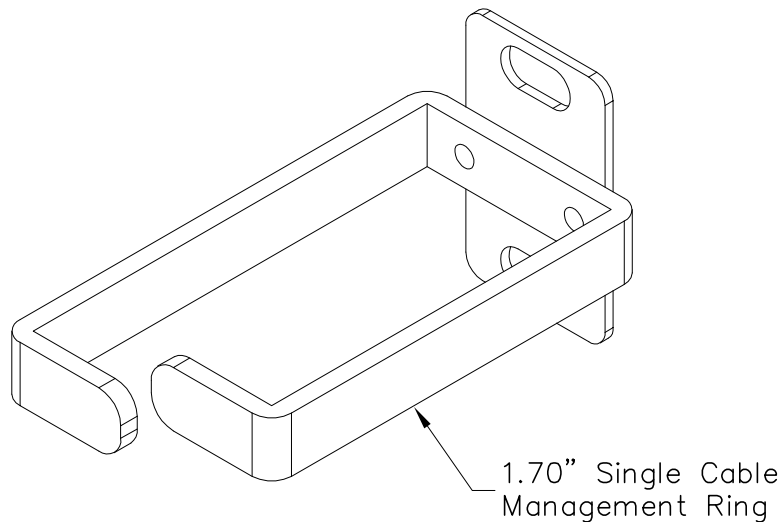


1.70" Single Cable Management Ring, 10 Pk

PRODUCT SPECIFICATION


Package includes:

- A. 1.70" Single Cable Management Ring, 1 pc
- B. #12-24 x 5/8" Pan Head, Pilot Point Machine Screw, 2 pcs
- C. M4 X 4mm Pan Head, Phillips with Washer Screw, 1 pc

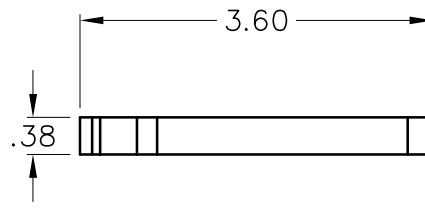
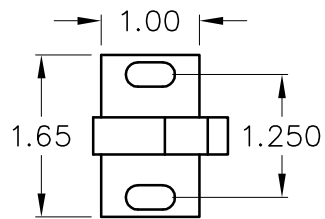
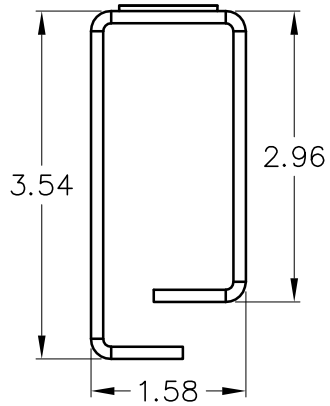


Features and Benefits:

- Provides flexibility for front or back cable management with a neat and clean appearance
- Suitable for all racks, wall mount racks, and wall mount brackets
- Used with ICCMS distribution and cable management racks, ICCMSWMR wall mount racks, ICCMSSGR wall mount swing gate racks, ICCMSVHB wall mount vertical hinged brackets, and ICCMSHB wall mount hinged brackets

RING, CABLE MGMT, SINGLE, 1.70" 10 PK		 <i>PremiumProducts</i> <i>ProvenPerformance</i> <i>CompetitivePrices</i>	
ITEM NO.	ICCMSCMPT1		REV. A
DWG NO.	PSCMSCMPT1		PAGE NO. 1

CUSTOMER CARE / TECHNICAL SUPPORT * CSR@ICC.COM / 888-ASK-4-ICC (275-4422) * 14700 Alondra Blvd., La Mirada, CA 90638 * www.icc.com



NOTE: UNLESS OTHERWISE SPECIFIED

1. MATERIAL:

A. RING: 1/8" X 3/8" STRIP CRS

B. BRACKET: 16 GA CRS

2. SURFACE FINISH: BLACK TEXTURED POWDER COAT

RING, CABLE MGMT, SINGLE, 1.70" 10 PK

ITEM NO. ICCMSCMPT1
 DWG NO. PSCMSCMPT1

REV. A
 PAGE NO. 2



CUSTOMER CARE / TECHNICAL SUPPORT * CSR@ICC.COM / 888-ASK-4-ICC (275-4422) * 14700 Alondra Blvd., La Mirada, CA 90638 * www.icc.com