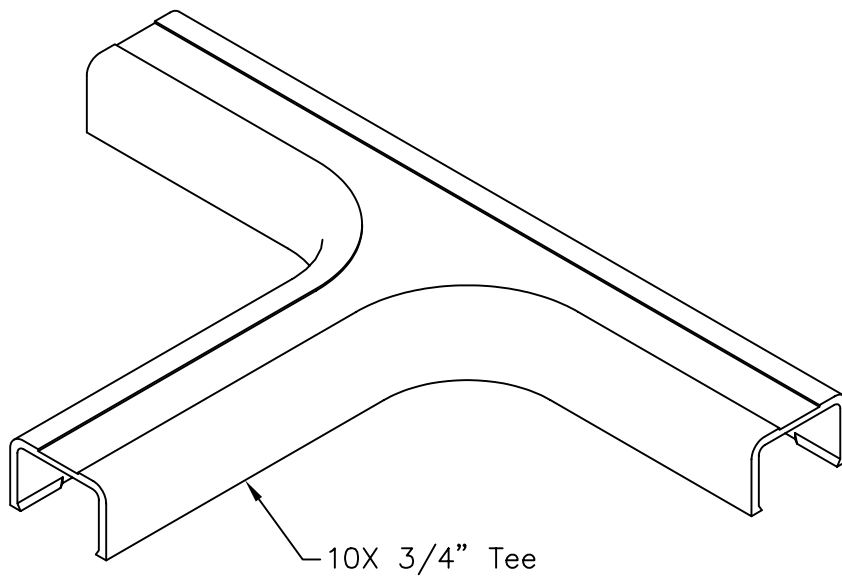


3/4" Tee

PRODUCT SPECIFICATION

Package includes:

A. 3/4" Tee, 10 pcs



Features and Benefits:

- Designed to attach three raceway sections while maintaining bend radius
- Accommodates ICRW11SR and ICRW118R 3/4"W x 1/2"H raceway sections
- Available in ivory and white

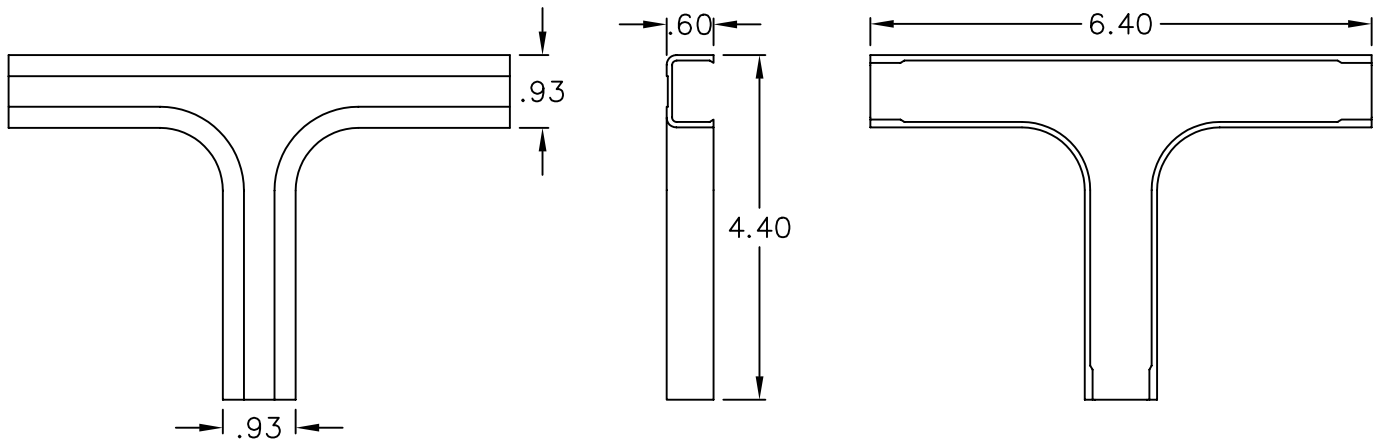
TEE, 3/4", 10 PK

ITEM NO.	ICRW11TOXX
DWG NO.	PSRW11TO00

REV.	A
PAGE NO.	1



CUSTOMER CARE / TECHNICAL SUPPORT * CSR@ICC.COM / 888-ASK-4-ICC (275-4422) * 14700 Alondra Blvd., La Mirada, CA 90638 * www.icc.com



NOTE: UNLESS OTHERWISE SPECIFIED

- 1. MATERIAL: HIGH IMPACT STYRENE
- 2. COLOR: XX: IV-IVORY & WH-WHITE

TEE, 3/4", 10 PK



Premium **Products**
 Proven **Performance**
 Competitive **Prices**

ITEM NO.	ICRW11TOXX	REV.	A
DWG NO.	PSRW11TO00	PAGE NO.	2

CUSTOMER CARE / TECHNICAL SUPPORT * CSR@ICC.COM / 888-ASK-4-ICC (275-4422) * 14700 Alondra Blvd., La Mirada, CA 90638 * www.icc.com