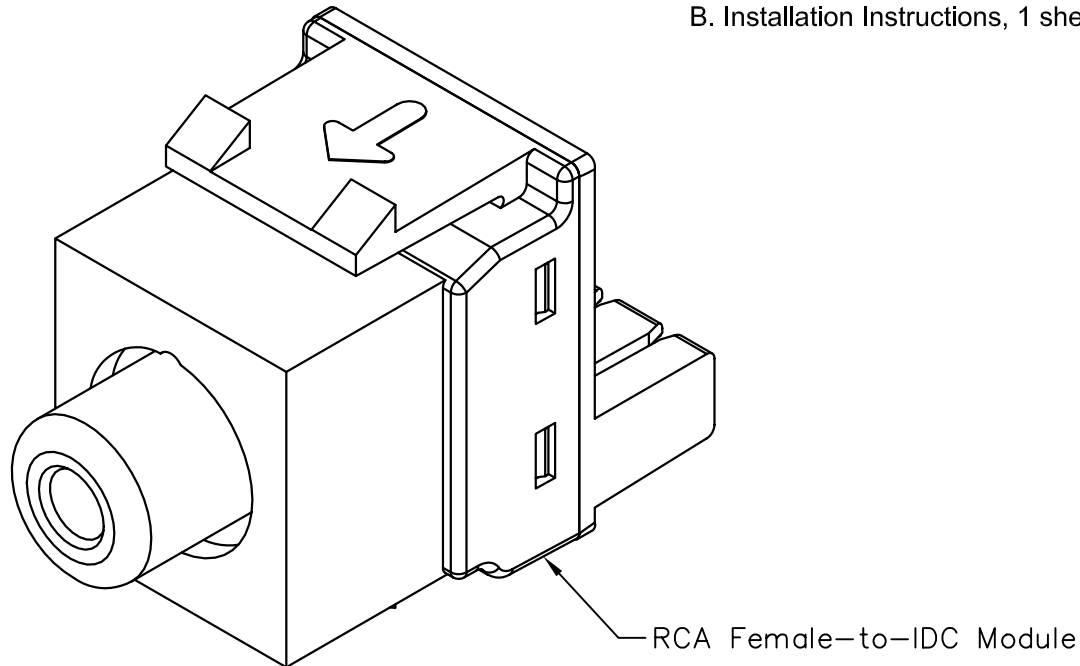


RCA Female-to-IDC Module

PRODUCT SPECIFICATION

Package includes:

- A. RCA Female-to-IDC Module, 1 pc
- B. Installation Instructions, 1 sheet



Features and Benefits:

- Gold plating for improved performance with superior signal quality with minimal noise
- Used for audio and video applications
- Designed for twisted pairs using the popular and easy 110 IDC termination, eliminating the need for soldering on the rear side
- Colored insulators providing for quick and easy identification of the type of signal carried on the circuit, making it easy to separate audio and video signals
- Available with black, blue, green, red, white, and yellow insulators
- Provides a clean and neat appearance installation
- Compatible with all IC107 faceplates, inserts, surface mount boxes, and blank patch panels
- Compatible with all IC108 furniture faceplates, bezels, and surface mount boxes
- Used with ICC 110 punch down tool ICACSPDT00
- Housing color available in almond, black, ivory, and white
- Installation instructions #MSR-0305 included

MODULE, RCA IDC

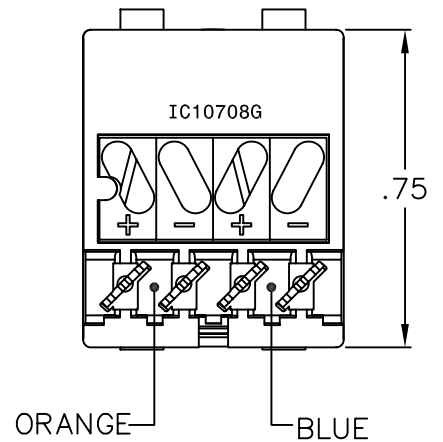
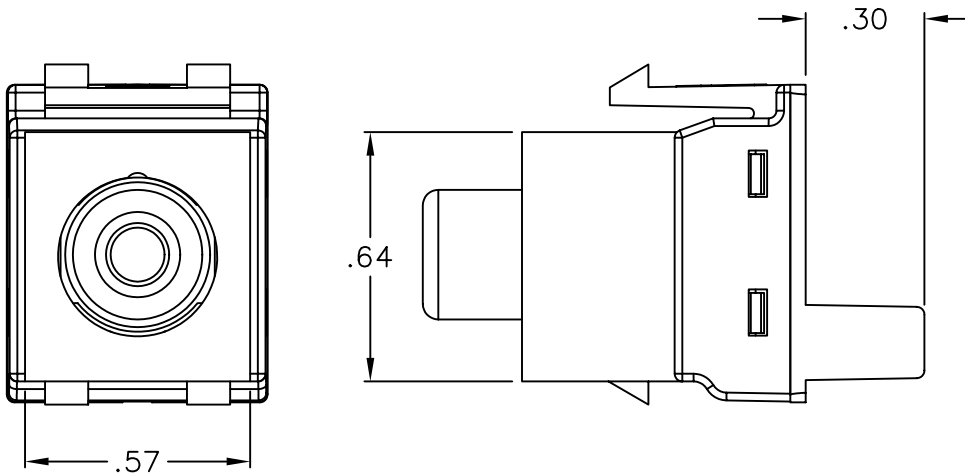
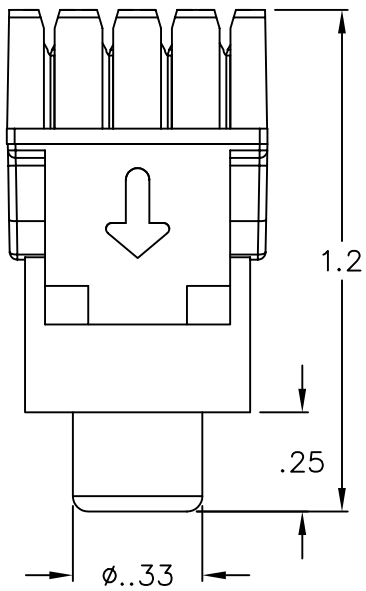
ITEM NO.	IC107Z8GXX
DWG NO.	PS10708G00

REV.	B
------	---

PAGE NO.	1
----------	---



CUSTOMER CARE / TECHNICAL SUPPORT * CSR@ICC.COM / 888-ASK-4-ICC (275-4422) * 14700 Alondra Blvd., La Mirada, CA 90638 www.icc.com



NOTE: UNLESS OTHERWISE SPECIFIED

1. HOUSING:

- A. MATERIAL: ABS, UL 94V-0
- B. COLOR: XX: AL-ALMOND, BK-BLACK, IV-IVORY, & WH-WHITE

2. CONNECTOR:

- A. BODY: BRASS WITH FLASH GOLD PLATING
- B. INSULATION: PP
- C. CONTACT: BRASS WITH NICKEL PLATING

3. ELECTRICAL:

- A. CONTACT RESISTANCE: 30M OHM MAX.
- B. INSULATION RESISTANCE: 100M OHM MIN @ 500V DC
- C. DIELECTRIC STRENGTH: 500 VOLTS FOR ONE MINUTE

MODULE, RCA IDC

ITEM NO. IC10728GXX
 DWG NO. PS10708G00

REV. B
 PAGE NO. 2



CUSTOMER CARE / TECHNICAL SUPPORT * CSR@ICC.COM / 888-ASK-4-ICC (275-4422) * 14700 Alondra Blvd., La Mirada, CA 90638 www.icc.com