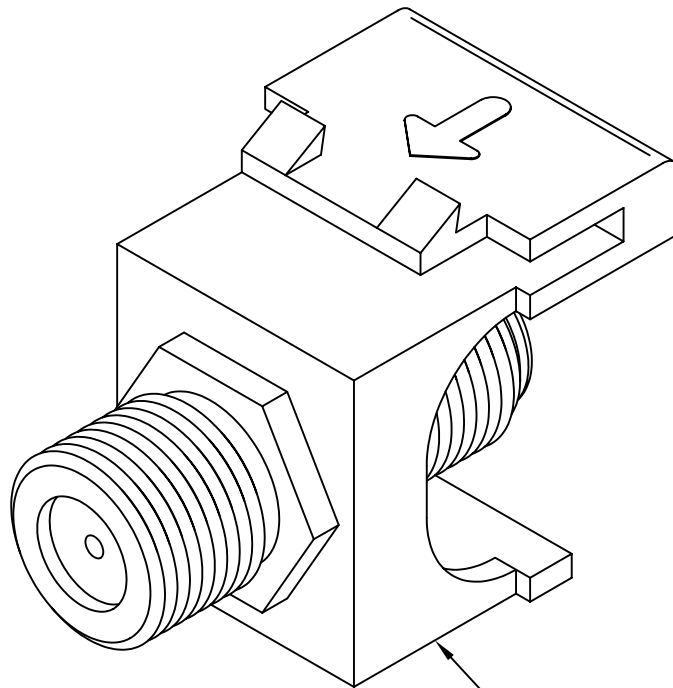


Gold Plated F-Type Female-to-Female Module

PRODUCT SPECIFICATION

Package includes:

A. Gold Plated F-Type Module, 1 pc



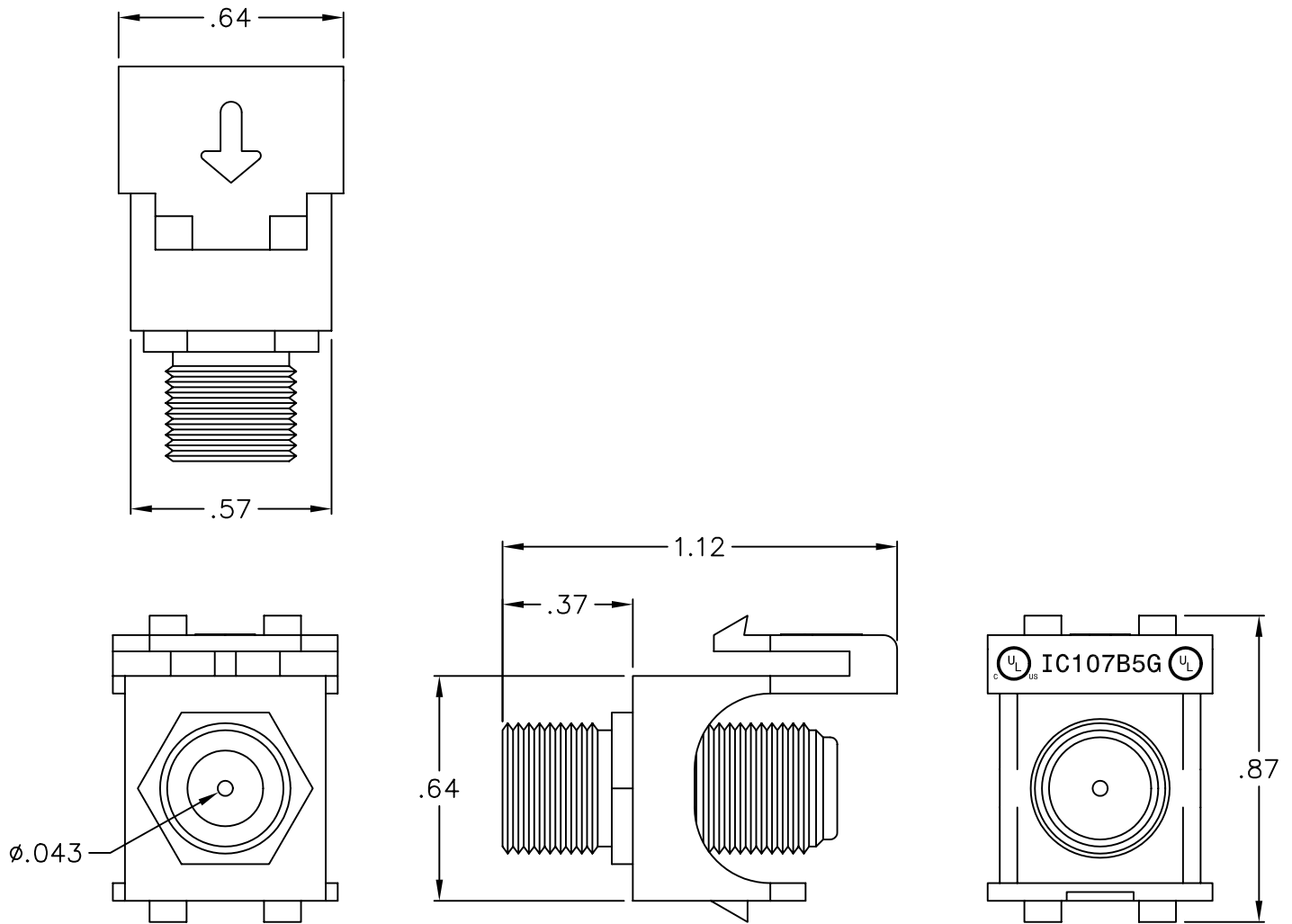
Gold Plated F-Type Module

Features and Benefits:

- Gold plating for improved performance with superior signal quality with minimal noise
- Used for audio and video applications
- Rear threaded F-Type connectors for secure in-wall connections with both RG6 and RG59 coaxial cables
- Provides a clean and neat appearance installation
- Compatible with all IC107 faceplates, inserts, surface mount boxes, and blank patch panels
- Compatible with all IC108 furniture faceplates, bezels, and surface mount boxes
- Used with ICC RG6 F-Type ICPCSF patch cords
- Available in almond, black, gray, ivory, and white
- UL listed

MODULE, F-TYPE, GOLD PLATED			
ITEM NO.	IC107B5GXX	REV.	D
DWG NO.	PS107B5G00	PAGE NO.	1

CUSTOMER CARE / TECHNICAL SUPPORT * CSR@ICC.COM / 888-ASK-4-ICC (275-4422) * 14700 Alondra Blvd., La Mirada, CA 90638 * www.icc.com



NOTE: UNLESS OTHERWISE SPECIFIED

1. HOUSING:

- A. MATERIAL: ABS, UL 94V-0
- B. COLOR: XX: AL-ALMOND, BK-BLACK, GY-GRAY, IV-IVORY, & WH-WHITE


2. GOLD PLATED F-TYPE CONNECTOR:

- A. MATERIAL: BRONZE WITH 3 MICRON GOLD PLATING
- B. INSULATOR COLOR: WHITE
- C. HOLDING FORCE > 80 GRAMS
- D. F-TYPE CONNECTOR THREADS: 3/8-32 UNEF-2A

3. ELECTRICAL:

- A. RETURN LOSS OF -20 dB MAX
- B. INSULATION RESISTANCE > 5000 MOHM
- C. INSERTION LOSS < 0.3 dB

UL US FILE NO. 125268

MODULE, F-TYPE, GOLD PLATED			
ITEM NO.	IC107B5GXX		REV. D
DWG NO.	PS107B5G00		PAGE NO. 2

CUSTOMER CARE / TECHNICAL SUPPORT * CSR@ICC.COM / 888-ASK-4-ICC (275-4422) * 14700 Alondra Blvd., La Mirada, CA 90638 * www.icc.com