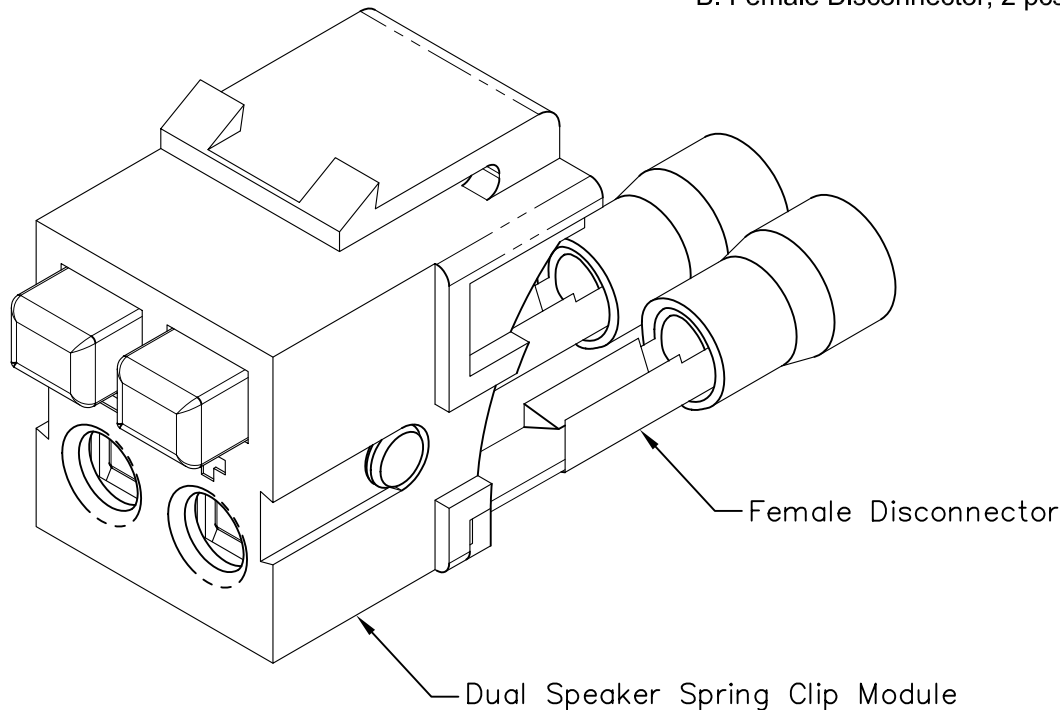


Dual Speaker Spring Clip Module

PRODUCT SPECIFICATION

Package includes:

- A. Dual Speaker Spring Clip Module, 1 pc
- B. Female Disconnecter, 2 pcs



Features and Benefits:

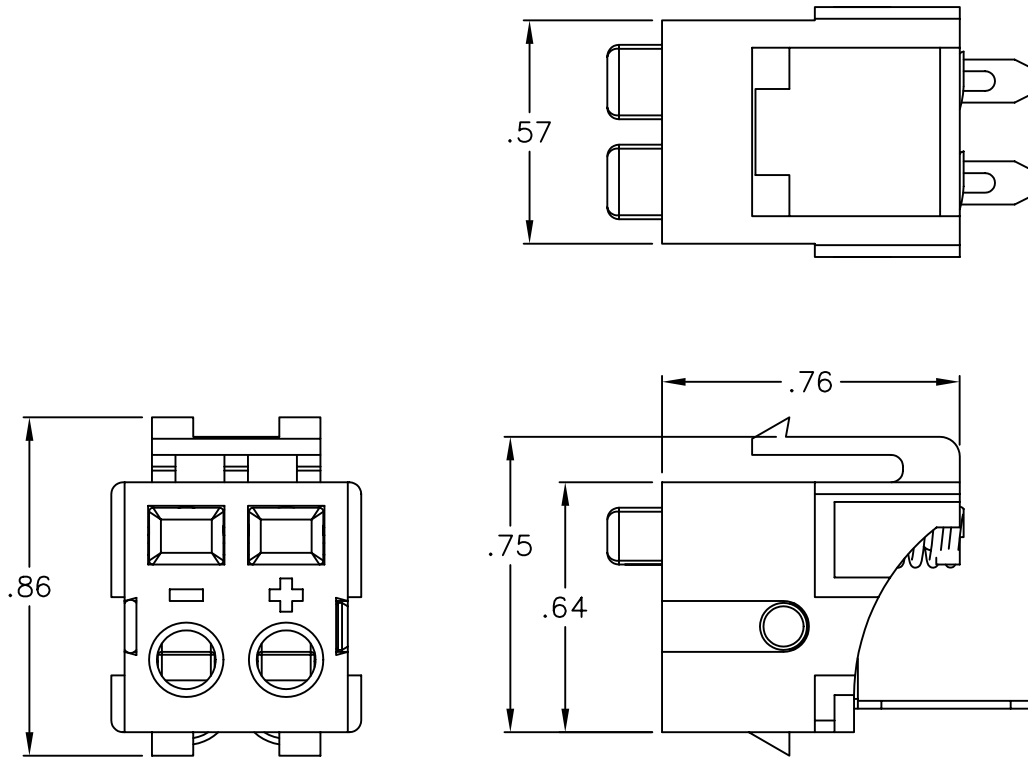
- Provides exceptional performance
- Reduces faceplate size by 1 to 2 gangs for home theater systems
- Allows an entire 5.1, 6.1, or 7.1 surround sound home theater system to be installed within a 12 or 18 port faceplate depending on type of installation
- Capable of using up to 12 AWG speaker wires for front connection
- Black and red push buttons with + and - signs for correct polarity and easy installation
- Easy installation with solderless crimp-on rear wire connection
- Provides a more finished professional appearance than traditional installations
- Includes two female disconnectors suitable for 16~14 AWG speaker wires
- Compatible with all IC107 faceplates, inserts, surface mount boxes, and blank patch panels
- Compatible with all IC108 furniture faceplates, bezels, and surface mount boxes
- Available in almond, black, ivory, and white
- UL listed

MODULE, SPEAKER, DUAL

ITEM NO.	IC107DSCXX	REV.	A
DWG NO.	PS107DSC00	PAGE NO.	1



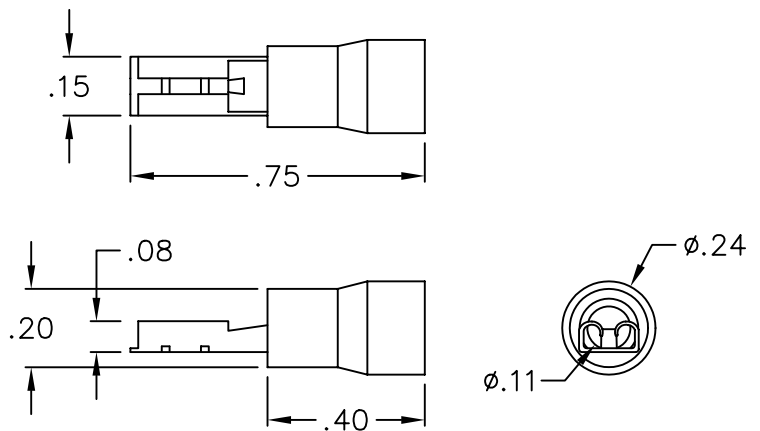
CUSTOMER CARE / TECHNICAL SUPPORT * CSR@ICC.COM / 888-ASK-4-ICC (275-4422) * 14700 Alondra Blvd., La Mirada, CA 90638 * www.icc.com



DUAL SPEAKER SPRING CLIP MODULE

NOTE: UNLESS OTHERWISE SPECIFIED

1. ELECTRICAL RATING: 300 VOLTS MAX @ 75°C
2. ELECTRIC CURRENT: 15 AMP MAX
3. MATERIAL:
 - A. HOUSING: ABS, UL 94V-0
 - B. CAM, SHAFT, PUSH BUTTONS: PC, UL 94V-0
 - C. CONTACT: TIN PLATED STEEL
 - D. FEMALE DISCONNECTOR:
 - CONNECTOR: TIN PLATED BRASS
 - JACKET: PVC
4. COLOR:
 - A. HOUSING: XX: AL-ALMOND, BK-BLACK, IV-IVORY, & WH-WHITE
 - B. PUSH BUTTONS: 1 BLACK, 1 RED
 - C. FEMALE DISCONNECTOR JACKET: BLUE



FEMALE DISCONNECTOR

UL US FILE NO. 125268

MODULE, SPEAKER, DUAL			
ITEM NO.	IC107DSCXX		REV. A
DWG NO.	PS107DSC00		PAGE NO. 2

CUSTOMER CARE / TECHNICAL SUPPORT * CSR@ICC.COM / 888-ASK-4-ICC (275-4422) * 14700 Alondra Blvd., La Mirada, CA 90638 * www.icc.com