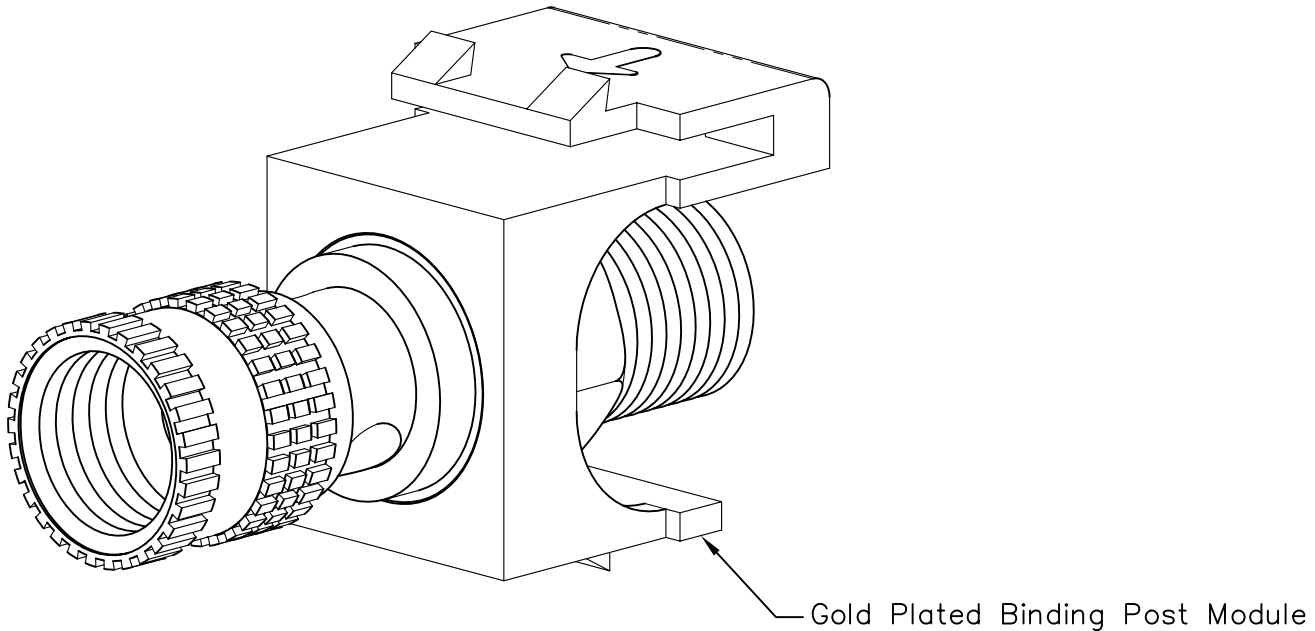


Gold Plated Binding Post Module

PRODUCT SPECIFICATION

Package includes:

A. Gold Plated Binding Post Module, 2 pcs

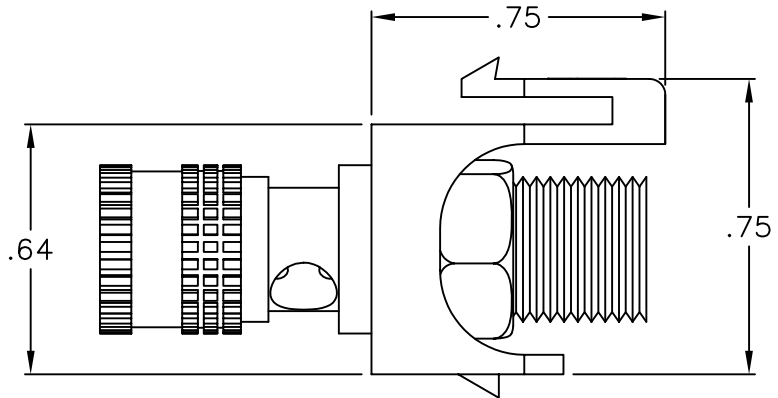
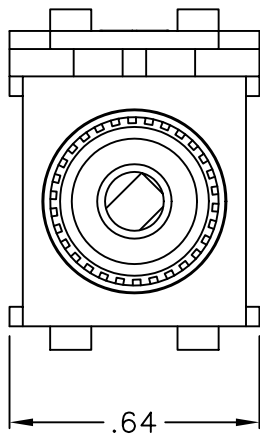
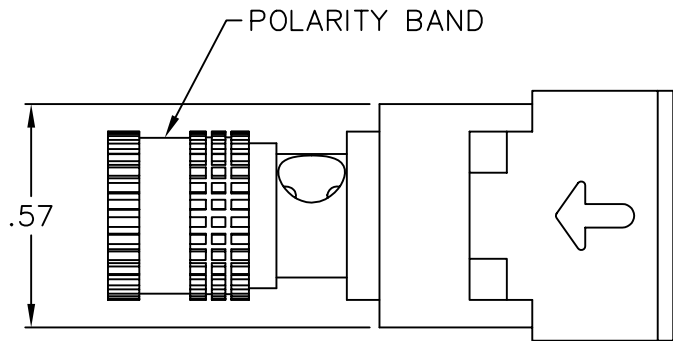


Features and Benefits:

- Gold plating for optimum connection quality and exceptional performance
- Binding posts accept up to 8 AWG multi-stranded audio wire or banana plugs to allow ample current flow to high wattage speakers providing superior fidelity sound
- Easy installation with a set-screw connection for incoming up to 8 AWG audio cable on the rear side
- Angled front and rear wire inserts for easy speaker wire termination
- Supplied as a pair with red and black bands for easy polarity identification
- Provides a clean and neat appearance installation
- Compatible with all IC107 faceplates, inserts, surface mount boxes, and blank patch panels
- Compatible with all IC108 furniture faceplates, bezels, and surface mount boxes
- Available in almond, black, ivory, and white
- UL listed

MODULE, BINDING POST, GOLD PLATED			
ITEM NO.	IC107PMGXX	REV.	A
DWG NO.	PS107PMG00	PAGE NO.	1

CUSTOMER CARE / TECHNICAL SUPPORT * CSR@ICC.COM / 888-ASK-4-ICC (275-4422) * 14700 Alondra Blvd., La Mirada, CA 90638 * www.icc.com



NOTE: UNLESS OTHERWISE SPECIFIED

1. HOUSING:

- A. MATERIAL: ABS, UL 94V-0
- B. COLOR: XX: AL-ALMOND, BK-BLACK, IV-IVORY, & WH-WHITE

2. BINDING POST:

- A. MATERIAL: BRASS WITH 3 MICRON GOLD PLATING
- B. POLARITY BAND COLOR: 1 BLACK, 1 RED

3. ELECTRICAL:

- A. DIELECTRIC WITHSTANDING VOLTAGE: 1000V RMS AT 60 HZ FOR ONE MINUTE
- B. DC BULK RESISTANCE: 20m OHM MAX

UL US FILE NO. 125268

MODULE, BINDING POST, GOLD PLATED		 <i>PremiumProducts</i> <i>ProvenPerformance</i> <i>CompetitivePrices</i>	
ITEM NO.	IC107PMGXX		REV. A
DWG NO.	PS107PMG00		PAGE NO. 2

CUSTOMER CARE / TECHNICAL SUPPORT * CSR@ICC.COM / 888-ASK-4-ICC (275-4422) * 14700 Alondra Blvd., La Mirada, CA 90638 * www.icc.com