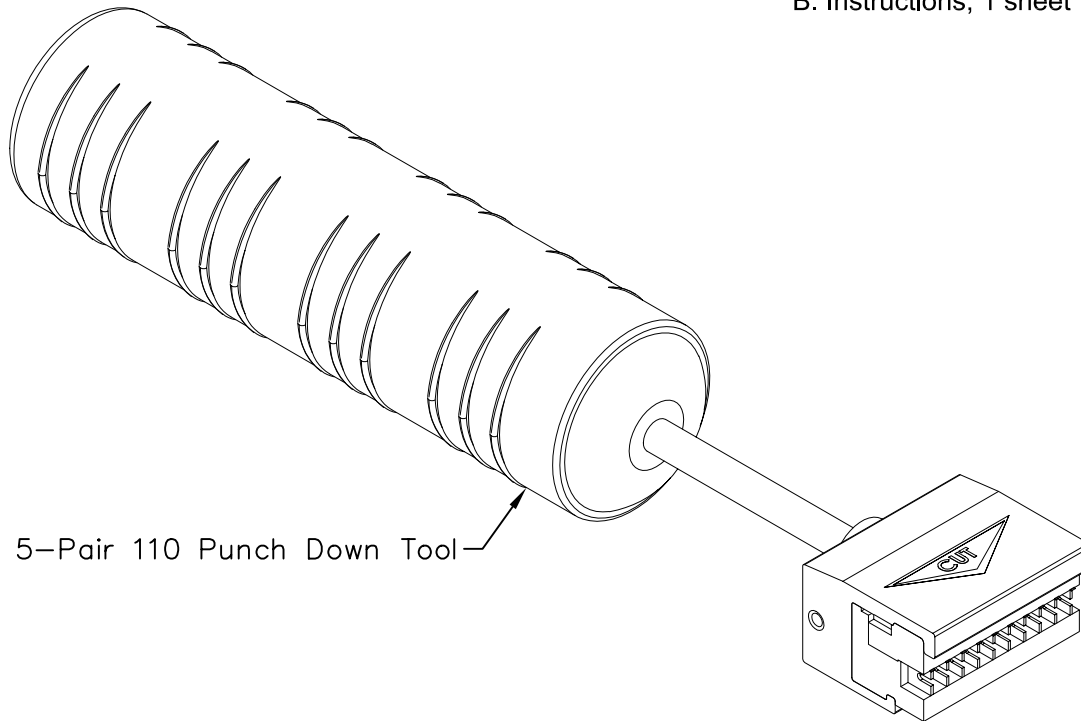


5-Pair 110 Punch Down Tool

PRODUCT SPECIFICATION

Package includes:

- A. 5-Pair 110 Punch Down Tool, 1 pc
- B. Instructions, 1 sheet



5-Pair 110 Punch Down Tool

Features and Benefits:

- Designed to provide a maximum of 80 kgs impact in order to properly seat the connecting blocks onto the wiring blocks and to terminate 5-pairs of wires simultaneously making installations faster and easier
- Reversible blade gives installers the flexibility to reverse and hide the cutting edge, permitting the tool to be used for seating connecting blocks without trimming the wires
- Tip of the shaft engages the blade set eliminating the possibility of blade misalignment
- Ergonomic design allowing a comfortable fit throughout installations
- Anti-slip rubber with raised grip design preventing hand slippage during use
- Cushioned rubber handle helping absorb impact to the hand and reducing fatigue
- Can be used for seating and terminating wires into any standard 110 blocks and connecting blocks
- Used with all IC110 blocks, connecting blocks, and patch panels
- Instructions included

TOOL, 110 PUNCH DOWN, 5-PAIR



Premium **Products**
Proven **Performance**
Competitive **Prices**

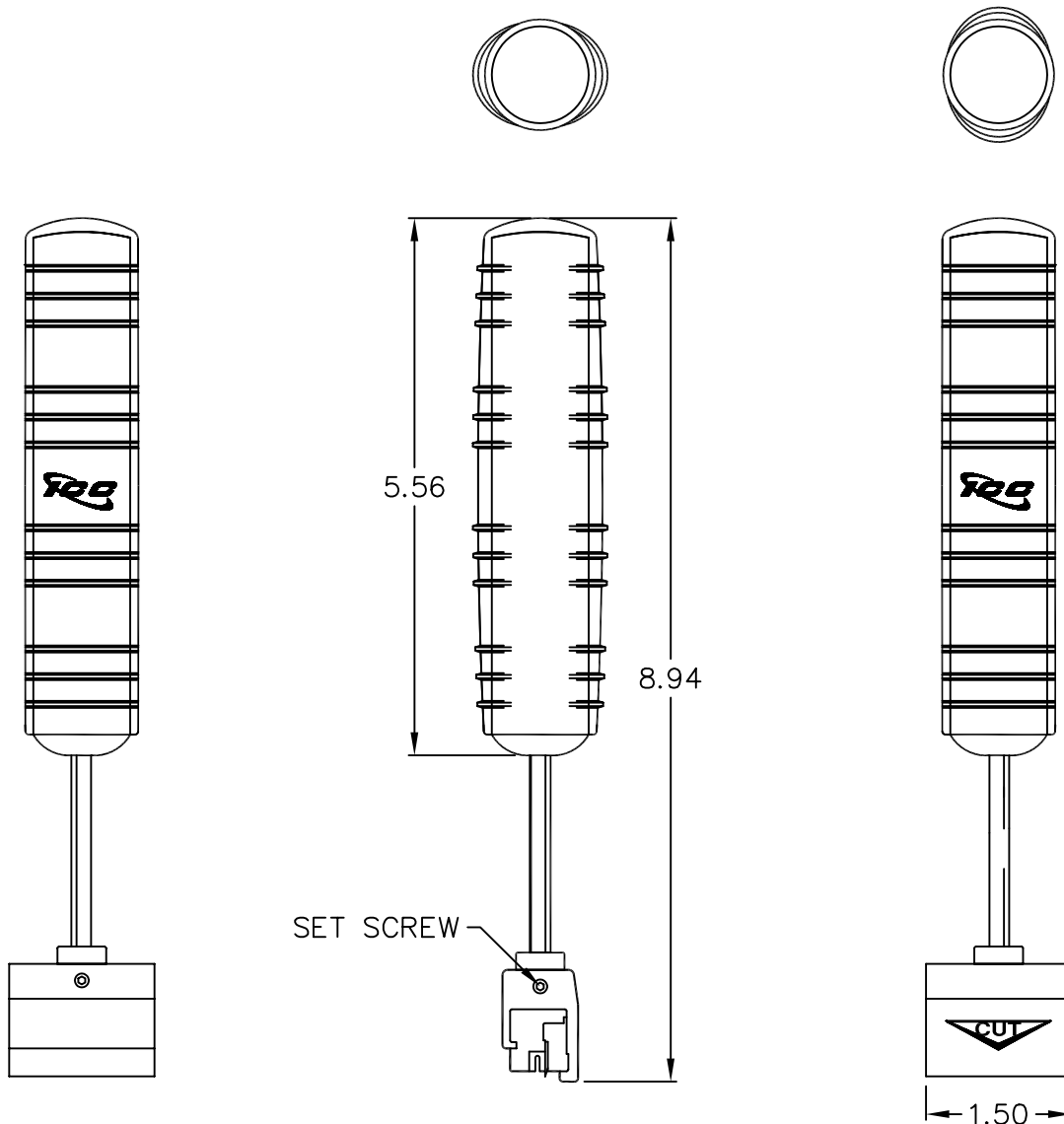
ITEM NO. ICACSPDT05

REV. A

DWG NO. PSACSPDT05

PAGE NO. 1

CUSTOMER CARE / TECHNICAL SUPPORT * CSR@ICC.COM / 888-ASK-4-ICC (275-4422) * 14700 Alondra Blvd., La Mirada, CA 90638 * www.icc.com



NOTE: UNLESS OTHERWISE SPECIFIED


1. MATERIAL:

- A. BODY: ALUMINUM 6061-T6
- B. CUTTER: SK-5
- C. INTERNAL PART: S45C
- D. HANDLE: THERMOS PLASTIC RUBBER, BLUE
- E. FINISH: MATTED TEXTURE

2. HARDNESS: BLADE: HRC 40~52°

3. MECHANICAL: IMPACT: 80 KGS (FOR 24~22 AWG WIRES)

4. NOTE: TO REMOVE TERMINATION HEAD, TURN HEAD UNTIL SET SCREW LINES UP WITH GROOVE IN SHAFT AND PULL HEAD OFF SHAFT; OR LOOSEN SET SCREW WITH ALLEN WRENCH TO REMOVE HEAD

TOOL, 1 10 PUNCH DOWN, 5-PAIR		 PremiumProducts ProvenPerformance CompetitivePrices	
ITEM NO.	ICACSPDT05		REV. A
DWG NO.	PSACSPDT05		PAGE NO. 2

CUSTOMER CARE / TECHNICAL SUPPORT * CSR@ICC.COM / 888-ASK-4-ICC (275-4422) * 14700 Alondra Blvd., La Mirada, CA 90638 * www.icc.com