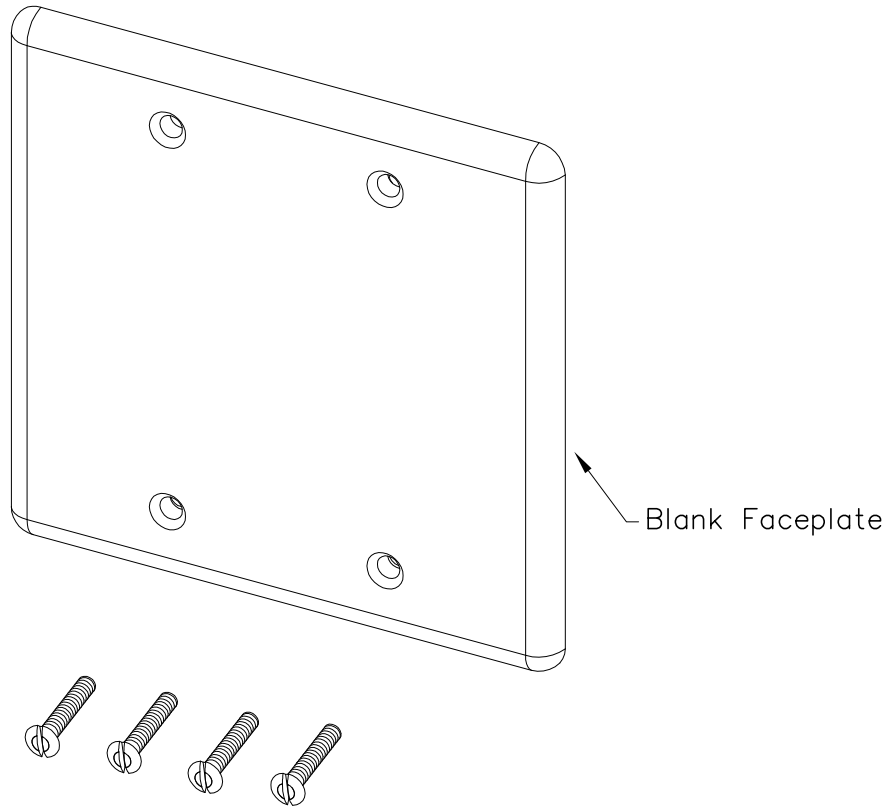


Blank Double Gang Faceplate

PRODUCT SPECIFICATION

Package includes:

- A. Blank Double Gang Faceplate, 1 pc
- B. #6-32 x 3/4" Oval Head, Countersink Machine Screw, 4 pcs



Features and Benefits:

- Configured to fit standard double gang outlet box
- Designed for commercial or residential applications
- Rugged and durable construction
- Available in almond, ivory, and white
- UL listed

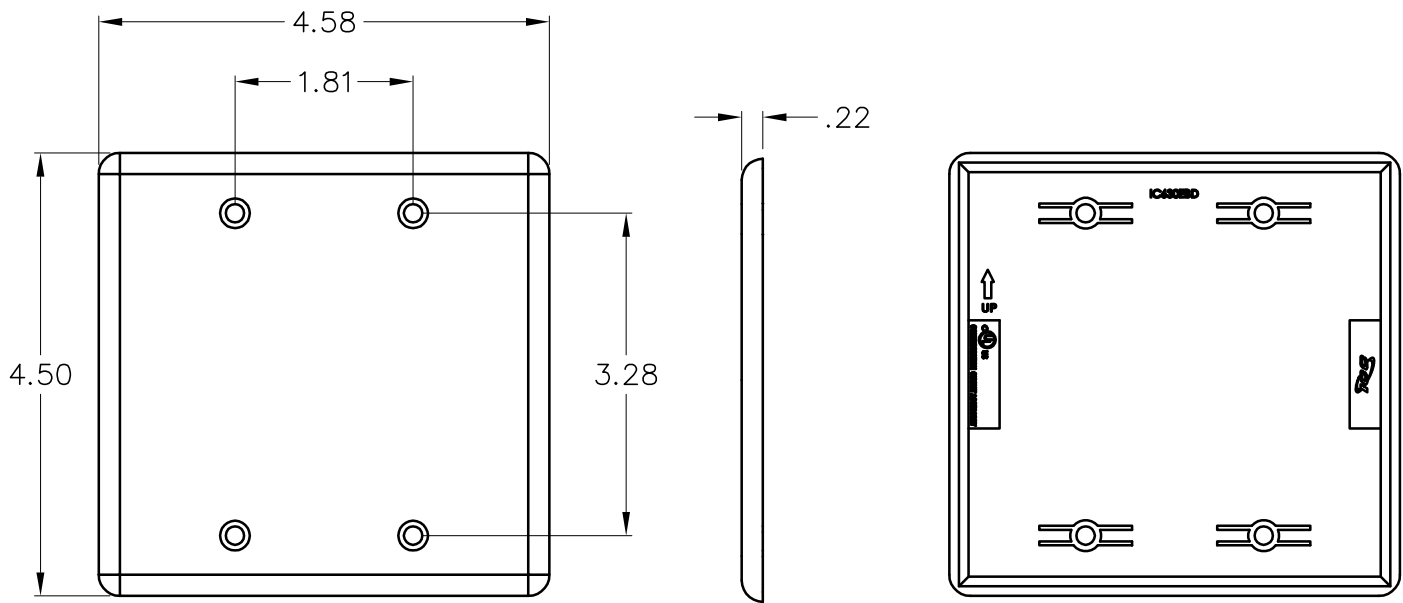
FACEPLATE, 2-GANG, BLANK

ITEM NO.	IC630EBOX
DWG NO.	PS630EB000

REV.	A
PAGE NO.	1




CUSTOMER CARE / TECHNICAL SUPPORT * CSR@ICC.COM / 888-ASK-4-ICC (275-4422) * 14700 Alondra Blvd., La Mirada, CA 90638 * www.icc.com



NOTE: UNLESS OTHERWISE SPECIFIED

1. MATERIAL: ABS, UL 94V-0
2. FINISH: TEXTURE
3. COLOR: XX: AL-ALMOND, IV-IVORY, & WH-WHITE

UL US FILE NO. 125268

FACEPLATE, 2-GANG, BLANK		 ICC <i>Premium Products</i> <i>Proven Performance</i> <i>Competitive Prices</i>	
ITEM NO.	IC630EBOXX		REV. A
DWG NO.	PS630EB000	PAGE NO.	2

CUSTOMER CARE / TECHNICAL SUPPORT * CSR@ICC.COM / 888-ASK-4-ICC (275-4422) * 14700 Alondra Blvd., La Mirada, CA 90638 * www.icc.com