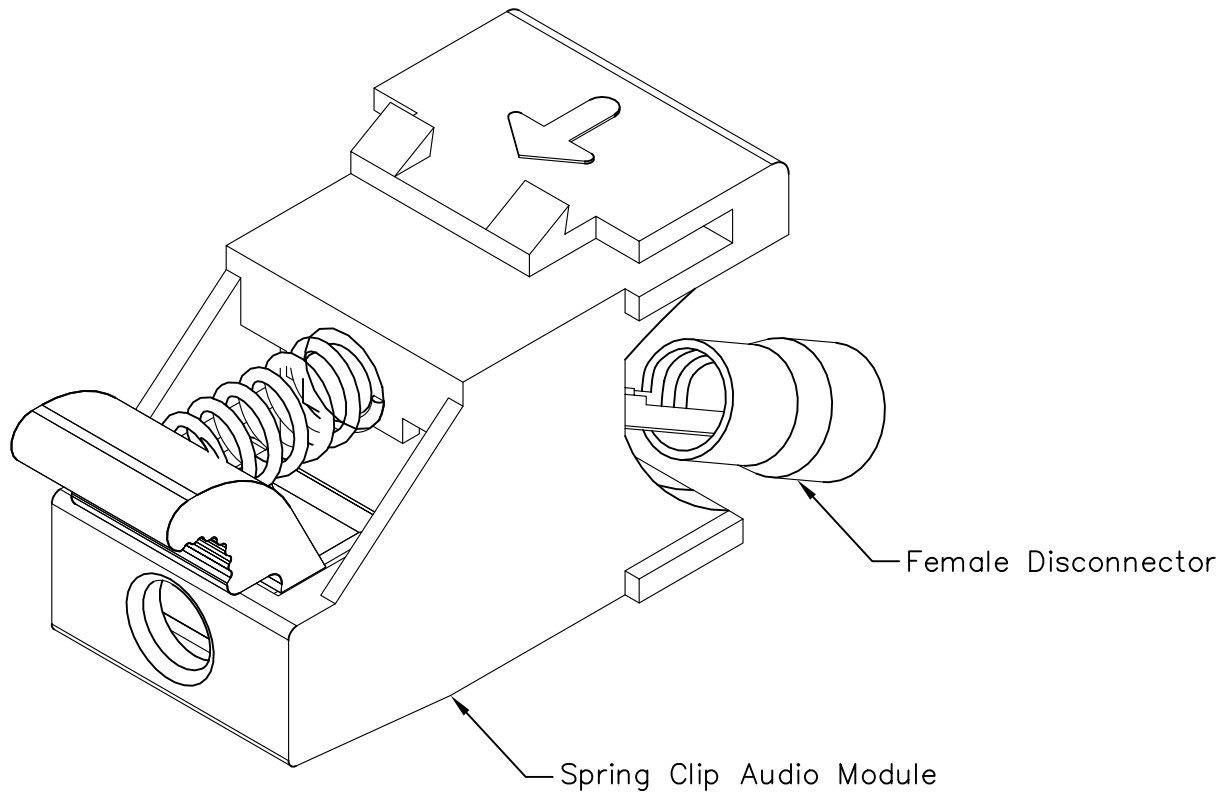


Spring Clip Speaker Module

PRODUCT SPECIFICATION

Package includes:

- A. Spring Clip Audio Module, 2 pcs
- B. Female Disconnecter, 2 pcs



Features and Benefits:

- Spring clip connection for optimum audio quality
- Available as pairs with red and black push tabs for polarity identification
- Capable of using up to 12 AWG speaker wires for front connection
- Easy installation with solderless crimp-on rear wire connection
- Includes two female disconnectors suitable for 16~14 AWG speaker wires
- Compatible with all IC107 faceplates, inserts, surface mount boxes, and blank patch panels
- Compatible with all IC108 furniture faceplates, bezels, and surface mount boxes
- Available in black
- UL listed

MODULE, SPEAKER, SPRING CLIP, BLACK

ITEM NO. IC107BSSBK

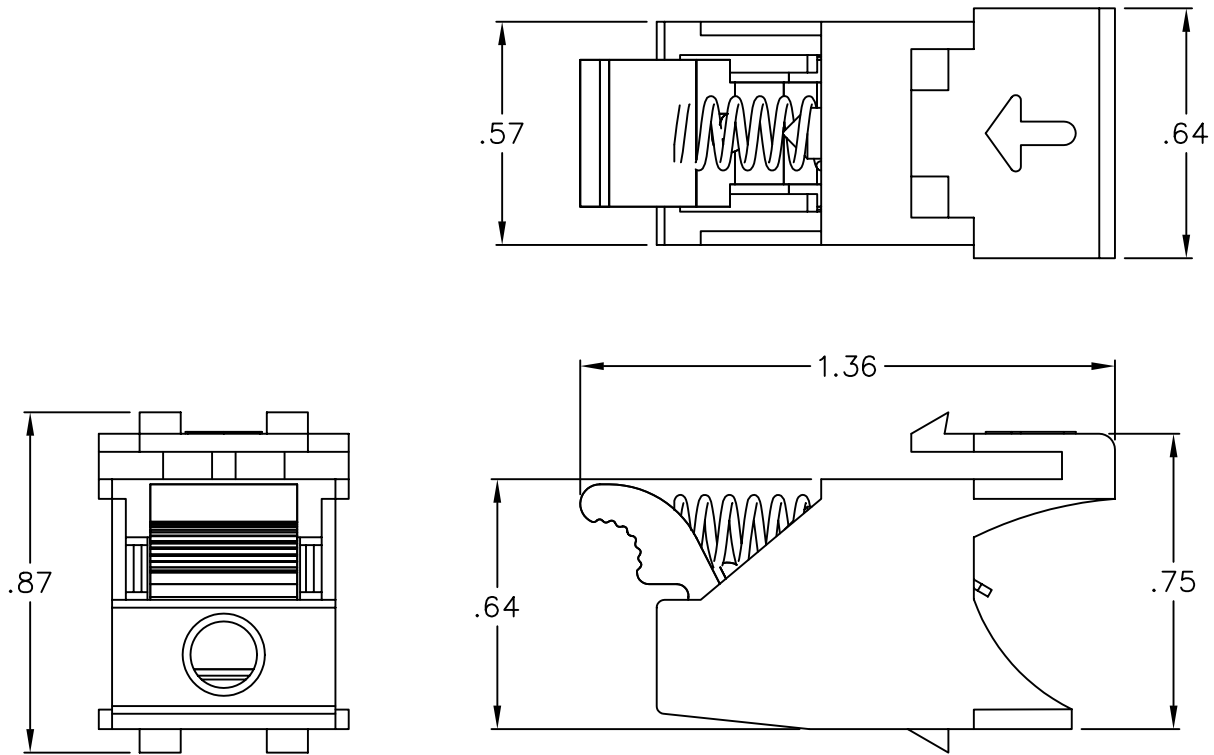
REV. A

DWG NO. PS107BSSBK

PAGE NO. 1



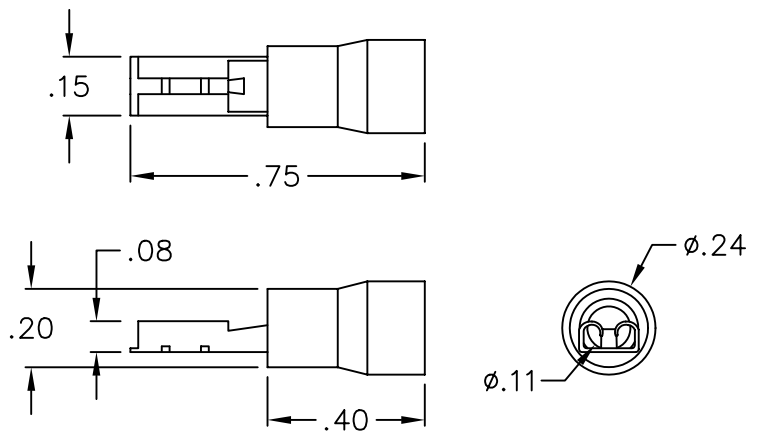
CUSTOMER CARE / TECHNICAL SUPPORT * CSR@ICC.COM / 888-ASK-4-ICC (275-4422) * 14700 Alondra Blvd., La Mirada, CA 90638 * www.icc.com



SPRING CLIP AUDIO MODULE

NOTE: UNLESS OTHERWISE SPECIFIED

1. ELECTRICAL RATING: 300 VOLTS MAX @ 75°C
2. ELECTRIC CURRENT: 15 AMP MAX
3. MATERIAL:
 - A. HOUSING: ABS, UL 94V-0
 - B. PUSH TABS: ABS, UL 94V-0
 - C. CONTACT: TIN PLATED STEEL
 - D. FEMALE DISCONNECTOR:
 - CONNECTOR: TIN PLATED BRASS
 - JACKET: PVC
4. COLOR:
 - A. HOUSING: BK-BLACK
 - B. PUSH TABS: 1 BLACK, 1 RED
 - C. FEMALE DISCONNECTOR JACKET: BLUE



FEMALE DISCONNECTOR

UL US FILE NO. 125268

MODULE, SPEAKER, SPRING CLIP, BLACK			
ITEM NO.	IC107BSSBK		REV. A
DWG NO.	PS107BSSBK		PAGE NO. 2

CUSTOMER CARE / TECHNICAL SUPPORT * CSR@ICC.COM / 888-ASK-4-ICC (275-4422) * 14700 Alondra Blvd., La Mirada, CA 90638 * www.icc.com