

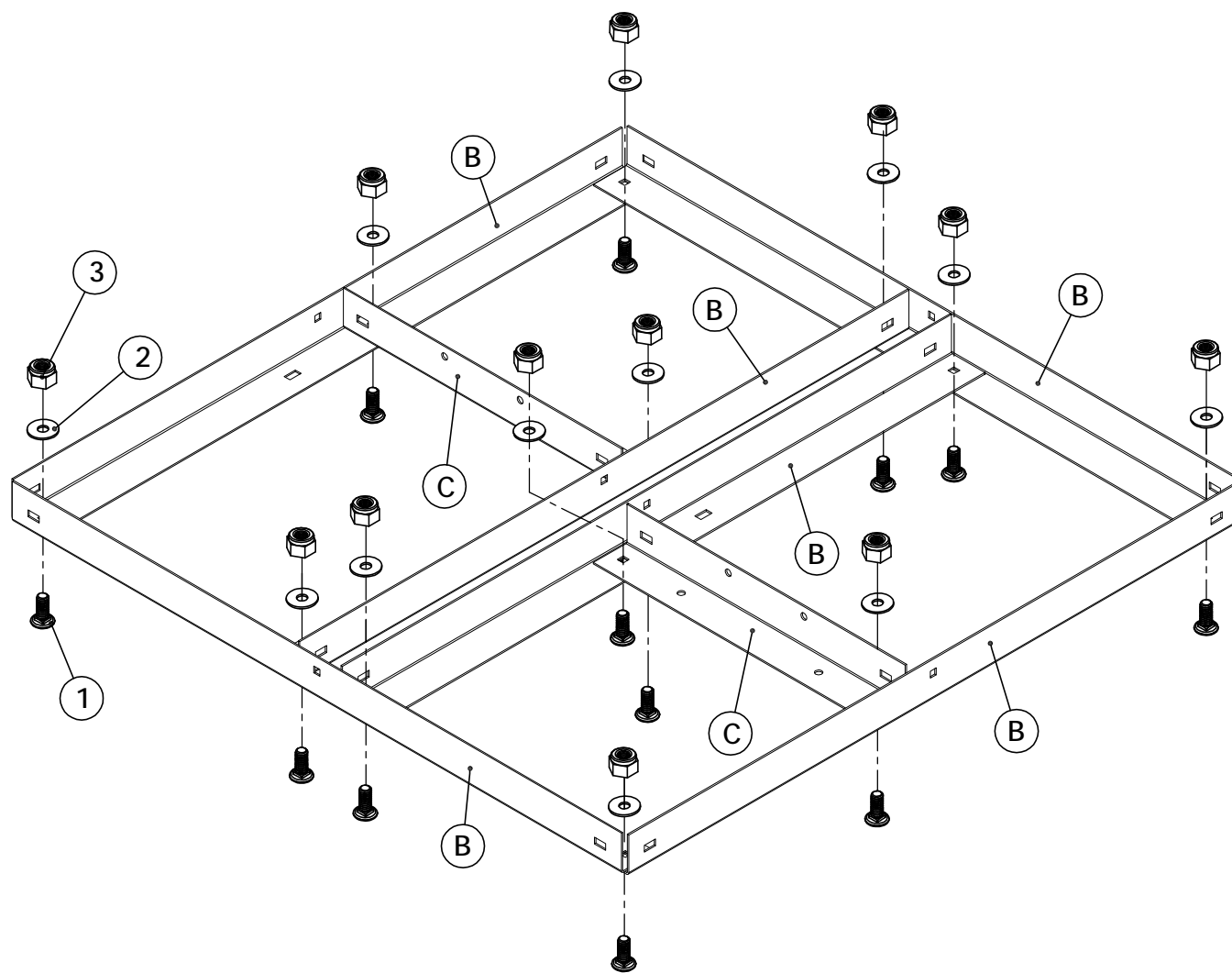


# NON-PENETRATING FLAT ROOF MOUNT ASSEMBLY INSTRUCTION

## INSTALLATION DESCRIPTION

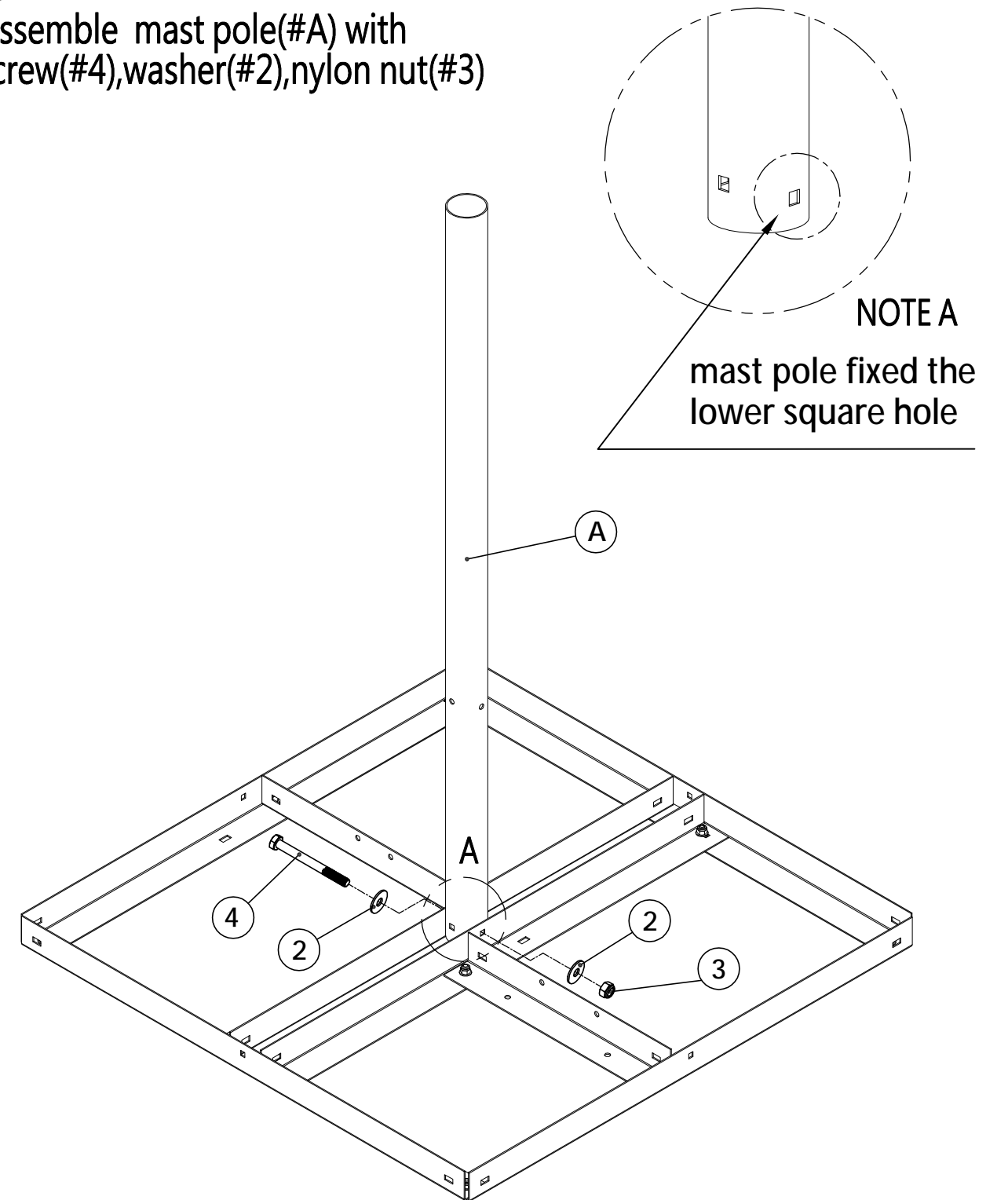
### Step 1

Assemble Long mounting base (#B) and Short mounting base (#C) with screw(#1), washer(#2), nylon nut(#3)



### Step 2

Assemble mast pole(#A) with screw(#4), washer(#2), nylon nut(#3)

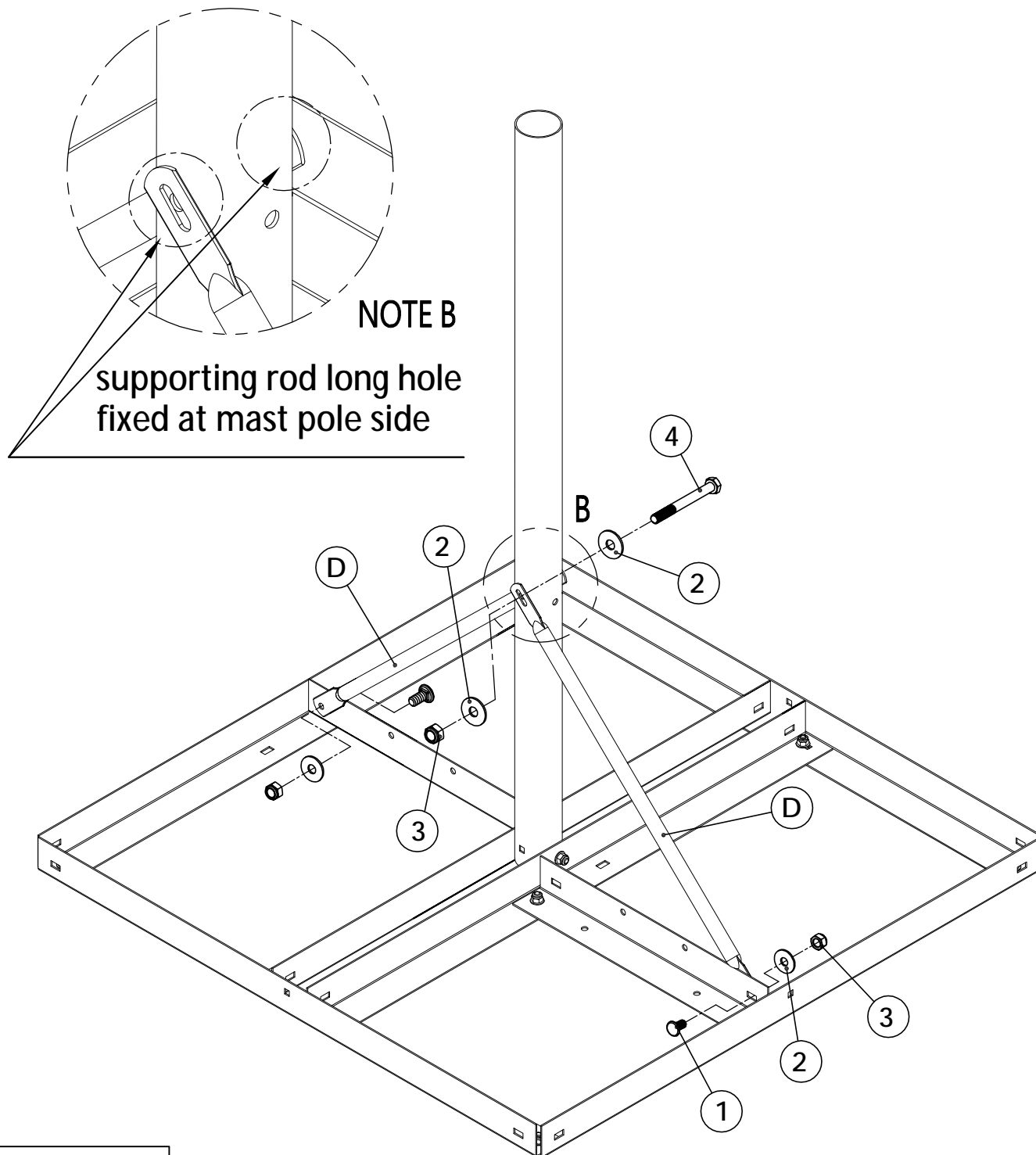


# NON-PENETRATING FLAT ROOF MOUNT ASSEMBLY INSTRUCTION

## INSTALLATION DESCRIPTION

### Step 3

Assemble 2 supporting rods 614L(#D) with screw(#1),screw(#4),washer(#2),nylon nut(#3)



### Step 4

Assemble 2 supporting rods 614L(#D) with screw(#4), washer(#2),nylon nut(#3),bush(#5)

Adjust pole angel to 90 degree then tighten all screw

