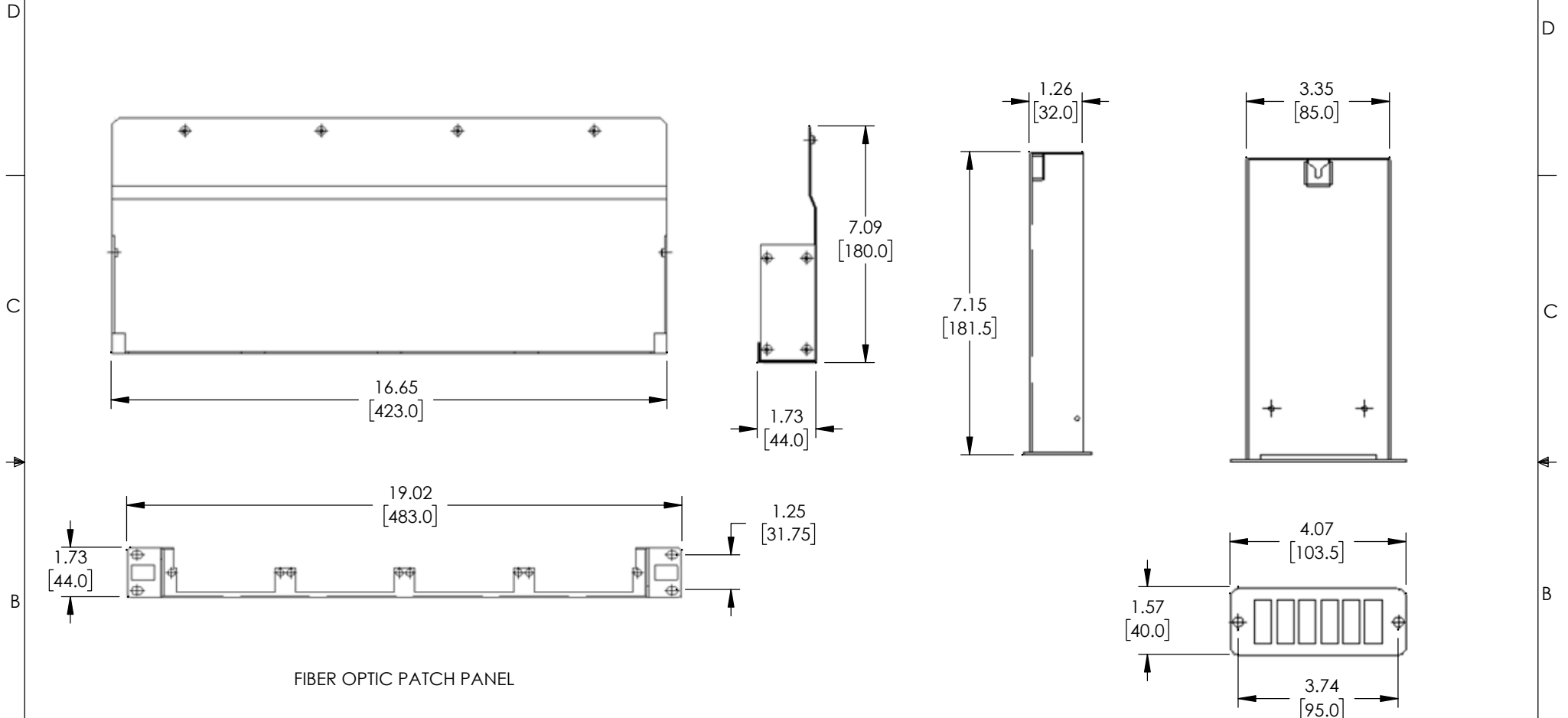


THE INFORMATION CONTAINED IN THIS DRAWING IS THE SOLE PROPERTY OF L-COM, INC. ANY REPRODUCTION IN PART OR WHOLE WITHOUT THE WRITTEN PERMISSION OF L-COM, INC. IS PROHIBITED.


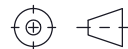
REVISIONS			
REV	DESCRIPTION	DATE	APPROVED
A	INITIAL RELEASE	12/14/2020	PHOSPODAR



FIBER OPTIC PATCH PANEL

FIBER OPTIC CASSETTE MODULE

MODEL NUMBER	FIBER TYPE	LC CONNECTOR
FSP-MPM-4L1S-48LC5M	9/125 SINGLE MODE OS2	48, BLUE
FSP-MPM-4L1S-48LCM3	50/125 MULTIMODE OM3 LASER OPTIMIZED	48, AQUA
FSP-MPM-4L1S-48LCM4	50/125 MULTIMODE OM4 LASER OPTIMIZED	48, AQUA

UNLESS OTHERWISE SPECIFIED, DIMENSIONS ARE IN INCHES [mm] OVERALL CABLE LENGTH TOLERANCE: ≤12 [305] = +1 [25] / -0 >12 [305] ≤60 [1524] = +2 [51] / -0 >60 [1524] ≤120 [3048] = +4 [102] / -0 >120 [3048] ≤300 [7620] = +6 [152] / -0 >300 [7620] = +5% / -0 ALL OTHER DIMENSIONAL TOLERANCES: .X = ± .2 [5] FRACTIONS ± 1/32 .XX = ± .02 [.5] ANGLES ± 1° .XXX = ± .005 [.13]	APPROVALS DRAWN BY DFRISIELLO CHECKED BY PHOSPODAR APPROVED BY PHOSPODAR	DATE 12/14/2020 12/14/2020 12/14/2020	 an INFINITI brand	50 High Street, West Mill, North Andover, MA 01845 USA. Phone: 1.800.341.5266 1.978.682.6936
	THIRD-ANGLE PROJECTION 	CONFIGURATION DETAILS OF UNDIMENSIONED FEATURES MAY VARY COLOR VARIATIONS MAY OCCUR	CATEGORY FIBER OPTICS	PRODUCT DESCRIPTION MPO male (pins) pullable rack mount chassis with 4 LGX cassettes, 48 LC Multimode fiber



50 High Street, West Mill,
North Andover, MA 01845 USA.
Phone: 1.800.341.5266
1.978.682.6936

CATEGORY
FIBER OPTICS

PRODUCT DESCRIPTION
MPO male (pins) pullable rack mount chassis with 4 LGX cassettes, 48 LC Multimode fiber

SIZE A	CAGE CODE 43321	ITEM NO. FSP-MPM-4L1S-48LC	REV. A
------------------	---------------------------	--------------------------------------	------------------

SCALE: NONE | CAD FILE: FSP-MPM-4L1S-48LC.SLDDRW | SHEET 1 OF 1