

Fiber Optic Transceiver XFP 10G Ethernet/OC-192, 40 km reach, 1550nm



FOX-XFP-10GM-55-40

Features

- Operating Data Rate up to 11.3Gbps
- Distance Range 40km
- Pluggable XFP Duplex LC Connector
- Standard Operating Temperature
- MSA Compliant

Applications

- 10GBASE-ER/EW 10G Ethernet
- 1200 SM-LL-L 10G Fibre Channel
- SONET OC-192 IR-2
- SDH STM S-64.2b
- SONET OC-192 IR-3
- SDH STM S 64.3b

Description

The Show Me Cables FOX-XFP-10GM-55-40 is an XFP form-factor transceiver, supporting 10G Ethernet/OC-192 data rates. The Show Me Cables FOX-XFP-10GM-55-40 features a 1550nm transmitter and supports 40 km links over single mode fiber. The FOX-XFP-10GM-55-40 is an MSA-compliant transceiver, compatible with most switch and router platforms. The Show Me Cables FOX-XFP-10GM-55-40 features digital diagnostics for performance monitoring of the transceiver. The Show Me Cables FOX-XFP-10GM-55-40 XFP transceiver is one of thousands of fiber optic connectivity products available from Show Me Cables in-stock and ready to ship. Contact our knowledgeable technical support and sales staff for your answers on fiber optic connectivity or other Show Me Cables products.

Configuration

Connector 1	LC
Connector Mode	Duplex
Compatibility	MSA

Filter Specifications

Description	Minimum	Typical	Maximum	Units
TX Center Wavelength	1,530		1,565	nm
TX Data Rate	9.95	10.3	11.3	Gbps
TX Spectral Width	0		4	nm
TX Average Output Power	6			dBm
TX Extinction Ratio	3.5			dB
RX Center Wavelength	1,270	1,550	1,600	nm
RX Receiver Sensitivity	-24			dBm
RX Receiver Overload			-7	dBm

Click the following link (or enter part number in "SEARCH" on website) to obtain additional part information including price, inventory and certifications:
[Fiber Optic Transceiver XFP 10G Ethernet/OC-192, 40 km reach, 1550nm](#)

Fiber Optic Transceiver XFP 10G Ethernet/OC-192, 40 km reach, 1550nm



Table 1 Module Electrical Pin Definition

Pin	Logic	Symbol	Name/Description	Note
1		GND	Module Ground	1
2		VEE5	Optional -5.2V Power Supply	
3	LVTTL-I	Mod_DeSel	Module De-select; When held low allows module to respond to 2-wire serial interface	
4	LVTTL-O	Interrupt	Interrupt; Indicates presence of an important condition which can be read over the 2-wire serial interface	2
5	LVTTL-I	TX_DIS	Transmitter Disable; Turns off transmitter laser output	
6		VCC5	+5V Power Supply	
7		GND	Module Ground	1
8		VCC3	+3.3V Power Supply	
9		VCC3	+3.3V Power Supply	
10	LVTTL-I/O	SCL	2-Wire Serial Interface Clock	2
11	LVTTL-I/O	SDA	2-Wire Serial Interface Data Line	2
12	LVTTL-O	Mod_Abs	Indicates Module is not present. Grounded in the Module	2
13	LVTTL-O	Mod_NR	Module Not Ready; Indicating Module Operational Fault	2
14	LVTTL-O	RX_LOS	Receiver Loss Of Signal Indicator	2
15		GND	Module Ground	1
16		GND	Module Ground	1
17	CML-O	RD-	Receiver Inverted Data Output	
18	CML-O	RD+	Receiver Non-Inverted Data Output	
19		GND	Module Ground	1
20		VCC2	+1.8V Power Supply	3
21	LVTTL-I	P_Down/RST	Power down; When high, requires the module to limit power consumption to 1.5W or below. 2-Wire serial interface must be functional in the low power mode. Reset; The falling edge initiates a complete reset of the module including the 2-wire serial interface, equivalent to a power cycle.	
22		VCC2	+1.8V Power Supply	3
23		GND	Module Ground	1
24	PECL-I	RefCLK+	Reference Clock Non-Inverted Input, AC coupled on the host board	
25	PECL-I	RefCLK-	Reference Clock Inverted Input, AC coupled on the host board	
26		GND	Module Ground	1
27		GND	Module Ground	1
28	CML-I	TD-	Transmitter Inverted Data Input	
29	CML-I	TD+	Transmitter Non-Inverted Data Input	
30		GND	Module Ground	1

1. Module ground pins Gnd are isolated from the module case and chassis ground within the modul
2. Shall be pulled up with 4.7K-1 ohms to a voltage between 3.15V and 3.45V on the host board.
3. The 1.8 V wer supply can be optionally programmed to voltages lower than 1.8 V in modules supporting the variable power supply.

Fiber Optic Transceiver XFP 10G Ethernet/OC-192, 40 km reach, 1550nm

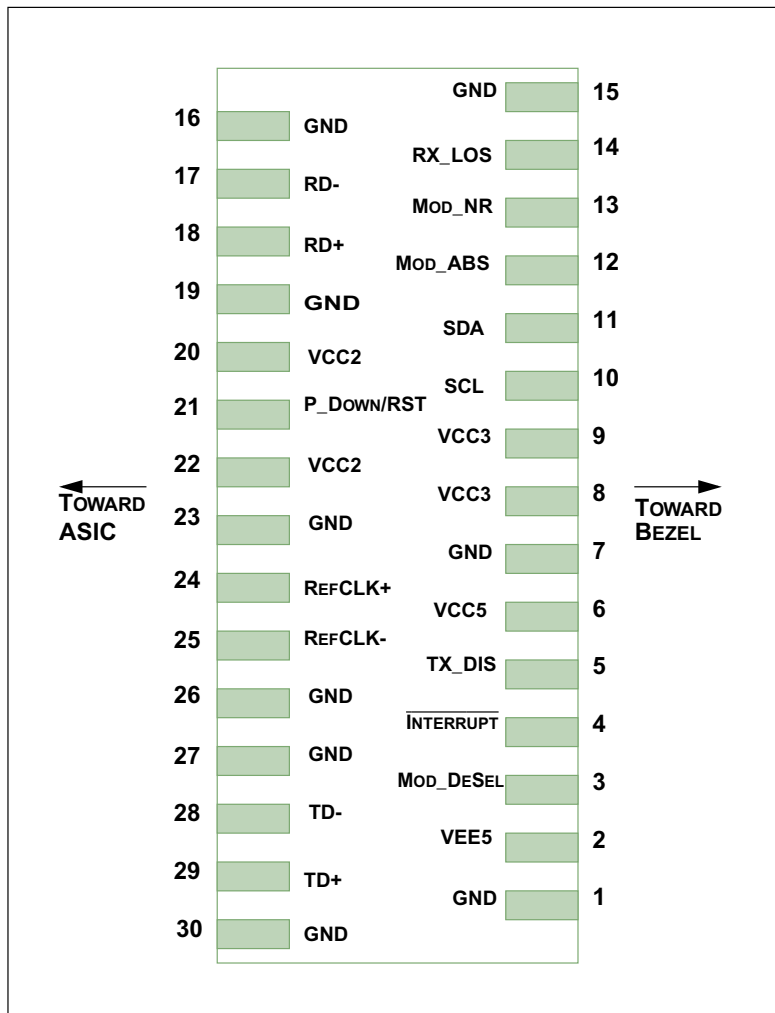


Figure 1 Host PCB XFP Pinout Top View

Fiber Optic Transceiver XFP 10G Ethernet/OC-192, 40 km reach, 1550nm



Environmental Specifications

Temperature

Operating Range

0 to +70 deg C

Storage Range

-40 to +85 deg C

Notes:

Compliance Certifications (see [product page](#) for current document)

Plotted and Other Data

Notes:

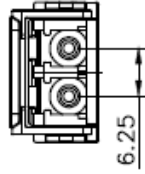
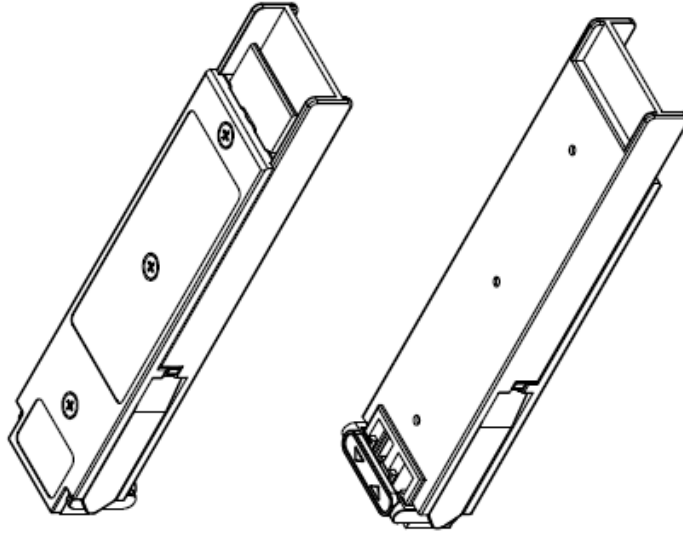
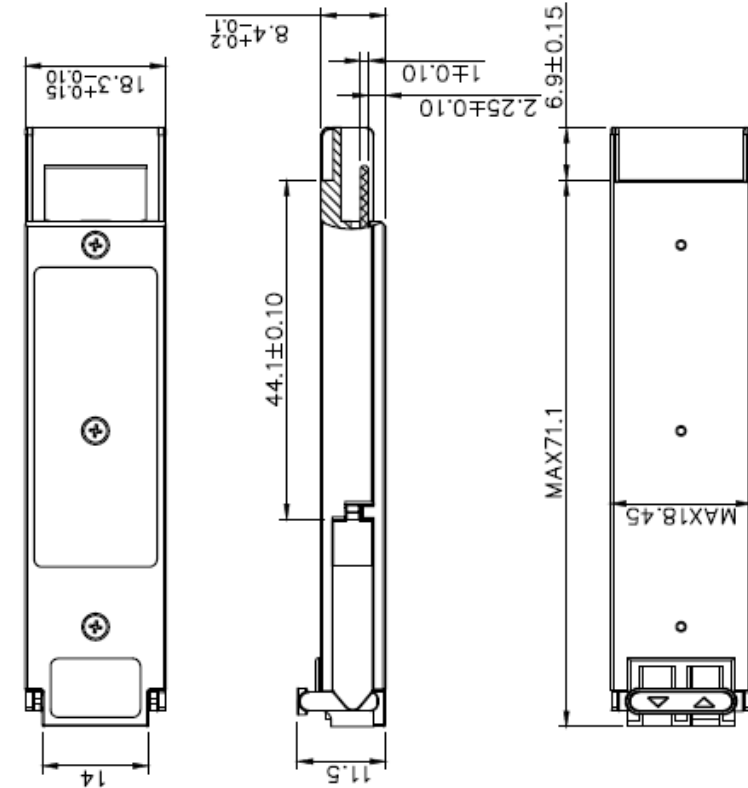
Fiber Optic Transceiver XFP 10G Ethernet/OC-192, 40 km reach, 1550nm from Show Me Cables has same day shipment for domestic and International orders. Click the following link (or enter part number in "SEARCH" on website) to obtain additional part information including price, inventory and certifications.

URL: <https://www.showmecables.com/fiber-optic-transceiver-xfp-10g-ethernet-oc-192-40-km-reach-1550nm-xfc-xfp10gm-55-40-p.aspx>
The information contained within this document is accurate to the best of our knowledge and representative of the part described herein. It may be necessary to make modifications to the part and/or the documentation of the part in order to implement improvements. Show Me Cables reserves the right to make such changes as required. Unless otherwise stated, all specifications are nominal. Show Me Cables does not make any representation or warranty regarding the suitability of the part described herein for any particular purpose, and Show Me Cables does not assume liability arising out of the use of any part or document.

FOX-XFP-10GM-55-40 CAD Drawing

Mechanical Specifications

Eoptolink's XFP transceivers are compliant with the dimensions defined by the XFP Multi-Sourcing Agreement (MSA).



Unremarked tolerances ± 0.2 mm