

Fiber Optic Transceiver SFP+ 10G Ethernet, 220 m reach, 1310 nm



## FOX-SFPP-10GE-31-LRM

### Features

- Operating Data Rate up to 10.3125Gbps
- Distance Range 220m
- Pluggable SFP+ Duplex LC Connector
- Standard Operating Temperature
- MSA Compliant

### Applications

- 10GBASE-LR/LW
- 0.6 to 10Gbps CPRI/OBSAI

### Description

The Show Me Cables FOX-SFPP-10GE-31-LRM is an SFP+ form-factor transceiver, supporting 10G Ethernet data rates. The Show Me Cables FOX-SFPP-10GE-31-LRM features a 1310 nm transmitter and supports 220 m links over multimode fiber. The FOX-SFPP-10GE-31-LRM is an MSA-compliant transceiver, compatible with most switch and router platforms. The Show Me Cables FOX-SFPP-10GE-31-LRM features digital diagnostics for performance monitoring of the transceiver. The Show Me Cables FOX-SFPP-10GE-31-LRM SFP+ transceiver is one of thousands of fiber optic connectivity products available from Show Me Cables in-stock and ready to ship. Contact our knowledgeable technical support and sales staff for your answers on fiber optic connectivity or other Show Me Cables products.

### Configuration

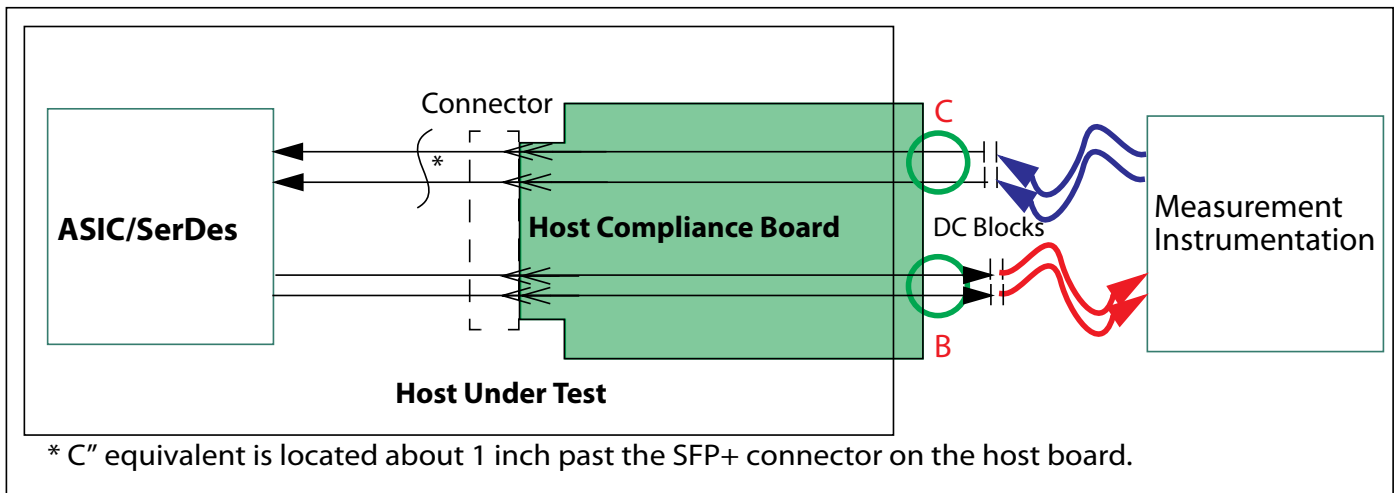
Connector 1	LC
Connector Mode	Duplex
Compatibility	MSA

### Filter Specifications

Description	Minimum	Typical	Maximum	Units
TX Center Wavelength	1,260	1,310	1,355	nm
TX Data Rate	0.6			Gbps
TX Spectral Width			3.5	nm
TX Average Output Power	-6.5		0.5	dBm
TX Extinction Ratio	3.5			dB
RX Center Wavelength	1,260		1,565	nm
RX Receiver Sensitivity			-10	dBm
RX Receiver Overload	1.5			dBm

Click the following link (or enter part number in "SEARCH" on website) to obtain additional part information including price, inventory and certifications:  
[Fiber Optic Transceiver SFP+ 10G Ethernet, 220 m reach, 1310 nm](#)

Fiber Optic Transceiver SFP+ 10G Ethernet, 220 m reach, 1310 nm



**Figure 13 Host Compliance Board**

**Table 10 SFI Reference Points**

<i>Compliance point</i>	<i>Designation</i>
ASIC/SerDes output	A
Host output	B
Host input	C
ASIC/SerDes input	D
Module input	B'
Module output	C'
Module input calibration	B" (double quotation)
Host input calibration	C" (double quotation)

Fiber Optic Transceiver SFP+ 10G Ethernet, 220 m reach, 1310 nm



---

## Environmental Specifications

### Temperature

Operating Range

0 to +70 deg C

Storage Range

-40 to +85 deg C

Notes:

**Compliance Certifications** (see [product page](#) for current document)

## Plotted and Other Data

Notes:

Fiber Optic Transceiver SFP+ 10G Ethernet, 220 m reach, 1310 nm from Show Me Cables has same day shipment for domestic and International orders. Click the following link (or enter part number in "SEARCH" on website) to obtain additional part information including price, inventory and certifications.

URL: <https://www.showmecables.com/fiber-optic-transceiver-sfp-plus-10g-ethernet-220-m-reach-1310-nm-fxc-sfpp10g-31-lrm-p.aspx>

The information contained within this document is accurate to the best of our knowledge and representative of the part described herein. It may be necessary to make modifications to the part and/or the documentation of the part in order to implement improvements. Show Me Cables reserves the right to make such changes as required. Unless otherwise stated, all specifications are nominal. Show Me Cables does not make any representation or warranty regarding the suitability of the part described herein for any particular purpose, and Show Me Cables does not assume liability arising out of the use of any part or document.

FOX-SFPP-10GE-31-LRM CAD Drawing

Mechanical Specifications

