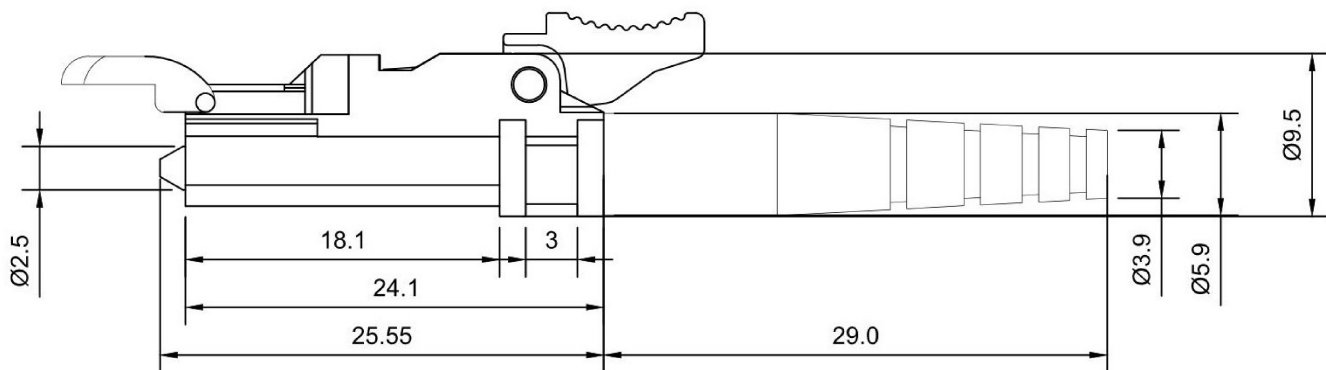


THE INFORMATION CONTAINED IN THIS DRAWING IS THE SOLE PROPERTY OF L-COM, INC. ANY REPRODUCTION IN PART OR WHOLE WITHOUT THE WRITTEN PERMISSION OF L-COM, INC. IS PROHIBITED.

REVISIONS			
REV	DESCRIPTION	DATE	APPROVED
A	INITIAL RELEASE	08-02-2021	PHOSPODAR



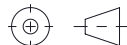
PART NUMBER	DESCRIPTION
FOCE2KSMUPCB-09	E2000 CONNECTOR KIT SINGLE MODE UPC 0.9mm CABLE BLUE
FOCE2KSMUPCB-2	E2000 CONNECTOR KIT SINGLE MODE UPC 2.0mm CABLE BLUE
FOCE2KSMUPCB-3	E2000 CONNECTOR KIT SINGLE MODE UPC 3.0mm CABLE BLUE

UNLESS OTHERWISE SPECIFIED, DIMENSIONS ARE IN INCHES [mm]

OVERALL CABLE LENGTH TOLERANCE:
 ≤12 [305] = +1 [25] / -0
 >12 [305] ≤60 [1524] = +2 [51] / -0
 >60 [1524] ≤120 [3048] = +4 [102] / -0
 >120 [3048] ≤300 [7620] = +6 [152] / -0
 >300 [7620] = +5% / -0

ALL OTHER DIMENSIONAL TOLERANCES:
 .X = ± .2 [5] | FRACTIONS ± 1/32
 .XX = ± .02 [.5] | ANGLES ± 1°
 .XXX = ± .005 [.13]

THIRD-ANGLE PROJECTION



APPROVALS	DATE
DRAWN BY MVEERAPPAN	08-02-2021
CHECKED BY GIBACETA	08-02-2021
APPROVED BY PHOSPODAR	08-02-2021



50 High Street, West Mill,
 North Andover, MA 01845 USA.
 Phone: 1.800.341.5266
 1.978.682.6936

CONFIGURATION DETAILS OF UNDIMENSIONED FEATURES MAY VARY

COLOR VARIATIONS MAY OCCUR

CATEGORY
FIBER OPTICS

PRODUCT DESCRIPTION
E2000 Connector Kit Single Mode

SIZE	CAGE CODE	ITEM NO.	REV.
A	43321	FOCE2KSMUPCB	A

SCALE: NONE | CAD FILE: FOCE2KSMUPCB.SLDDRW | SHEET 1 OF 1