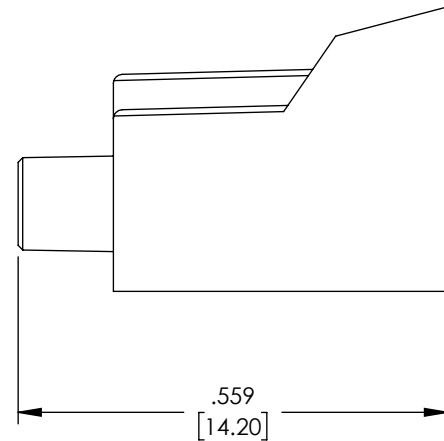
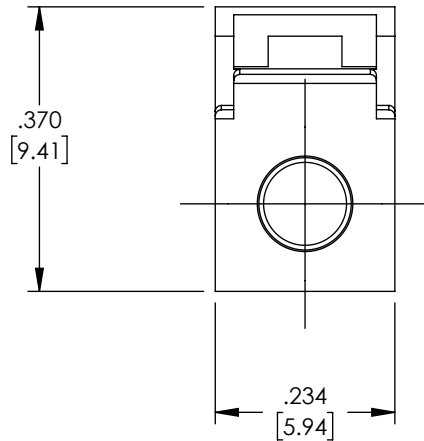



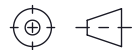
THE INFORMATION CONTAINED IN THIS DRAWING IS THE SOLE PROPERTY OF L-COM, INC. ANY REPRODUCTION IN PART OR WHOLE WITHOUT THE WRITTEN PERMISSION OF L-COM, INC. IS PROHIBITED.

REVISIONS			
REV	DESCRIPTION	DATE	APPROVED
A	INITIAL RELEASE	11/17/2020	PHOSPODAR



NOTES:

1. MATERIAL: TPE, WHITE.
2. ALL DIMENSIONS FOR REFERENCE ONLY.
3. COMPONENT SHALL BE PACKAGED IN BULK, 100 PIECES PER BAG IN ACCORDANCE WITH L-COM SPECIFICATION LSP-010-1.

UNLESS OTHERWISE SPECIFIED, DIMENSIONS ARE IN INCHES [mm] OVERALL CABLE LENGTH TOLERANCE: ≤12 [305] = +1 [25] / -0 >12 [305] ≤60 [1524] = +2 [51] / -0 >60 [1524] ≤120 [3048] = +4 [102] / -0 >120 [3048] ≤300 [7620] = +6 [152] / -0 >300 [7620] = +5% / -0 ALL OTHER DIMENSIONAL TOLERANCES: .X = ± .2 [5] FRACTIONS ± 1/32 .XX = ± .02 [.5] ANGLES ± 1° .XXX = ± .005 [.13]	APPROVALS DRAWN BY DZINN	DATE 11/17/2020	 50 High Street, West Mill, North Andover, MA 01845 USA. Phone: 1.800.341.5266 1.978.682.6936
	CHECKED BY DFRISIELLO	DATE 11/17/2020	
THIRD-ANGLE PROJECTION 	APPROVED BY PHOSPODAR	DATE 11/17/2020	PRODUCT DESCRIPTION FIBER OPTIC LC UNIBODY CONNECTOR DUST CAP, WHITE - 100PACK
COLOR VARIATIONS MAY OCCUR	SIZE A	CAGE CODE 43321	ITEM NO. FOC-LCU100
SCALE: NONE		CAD FILE: FOC-LCU100.SLDDRW	
SHEET 1 OF 1			REV. A