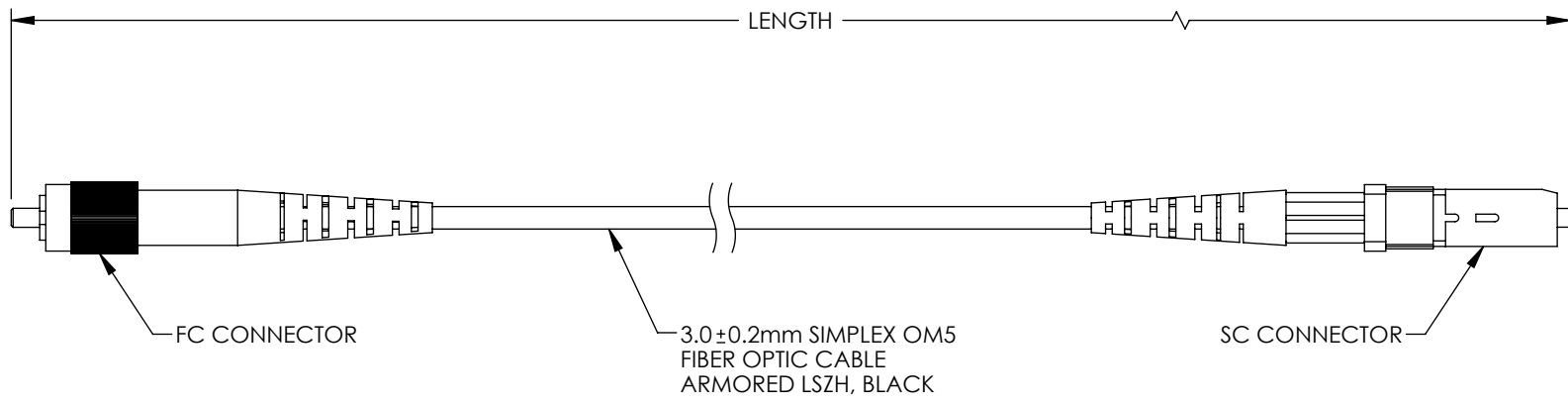


THE INFORMATION CONTAINED IN THIS DRAWING IS THE SOLE PROPERTY OF L-COM, INC. ANY REPRODUCTION IN PART OR WHOLE WITHOUT THE WRITTEN PERMISSION OF L-COM, INC. IS PROHIBITED.

REVISIONS			
REV	DESCRIPTION	DATE	APPROVED
A	INITIAL RELEASE	04/25/2022	PHOSPODAR




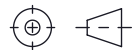
PART NUMBER	LENGTH METER [FEET]
FCA-M5FC-SCS-02	2.0 [6.56]
FCA-M5FC-SCS-05	5.0 [16.40]
FCA-M5FC-SCS-10	10.0 [32.81]
FCA-M5FC-SCS-15	15.0 [49.21]

**NOTES:**

1. FC CONNECTOR 1 ASSEMBLY POLISH TYPE: UPC.
2. SC CONNECTOR 1 ASSEMBLY POLISH TYPE: UPC.
3. ALL CONNECTORS ACCOMPANIED WITH A DUST CAP INSTALLED (NOT SHOWN).
4. CABLE ASSEMBLY SHALL BE INDIVIDUALLY PACKAGED.

**REGULATORY COMPLIANCE:**

EU RoHS DIRECTIVE (MOST RECENT RELEASED VERSION).

UNLESS OTHERWISE SPECIFIED, DIMENSIONS ARE IN INCHES [mm] OVERALL CABLE LENGTH TOLERANCE: ≤12 [305] = +1 [25] / -0 >12 [305] ≤60 [1524] = +2 [51] / -0 >60 [1524] ≤120 [3048] = +4 [102] / -0 >120 [3048] ≤300 [7620] = +6 [152] / -0 >300 [7620] = +5% / -0 ALL OTHER DIMENSIONAL TOLERANCES: .X = ± .2 [5]      FRACTIONS ± 1/32 .XX = ± .02 [.5]      ANGLES ± 1° .XXX = ± .005 [.13]	APPROVALS DRAWN BY K.GLEBOVA CHECKED BY P.HOSPODAR APPROVED BY P.HOSPODAR	DATE 04/18/22 04/25/22 04/25/22	 an INFINITO brand 50 High Street, West Mill, North Andover, MA 01845 USA. Phone: 1.800.341.5266 1.978.682.6936
	CONFIGURATION DETAILS OF UNDIMENSIONED FEATURES MAY VARY		
THIRD-ANGLE PROJECTION 	COLOR VARIATIONS MAY OCCUR	PRODUCT DESCRIPTION <b>FIBER OPTIC PATCH CORD MM OM5 SIMPLEX 3.0mm FC/UPC-SC/UPC ARMORED LSZH BLACK</b>	SCALE: NONE    CAD FILE: FCA-M5FC-SCS.SLDDRW
SIZE <b>A</b> CAGE CODE <b>43321</b> ITEM NO. <b>FCA-M5FC-SCS</b>		REV. <b>A</b>	SHEET 1 OF 1