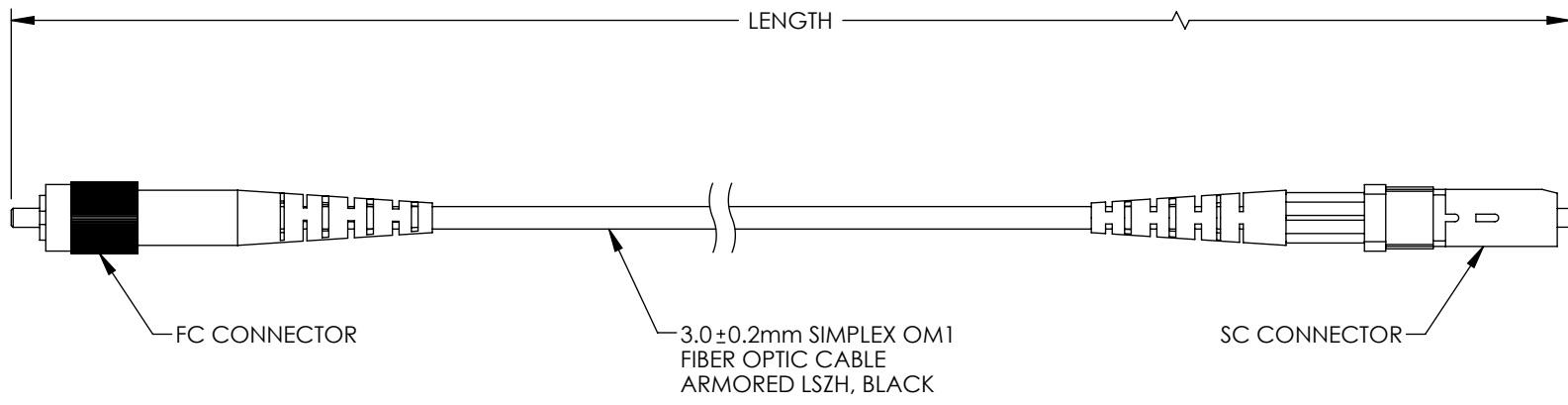


THE INFORMATION CONTAINED IN THIS DRAWING IS THE SOLE PROPERTY OF L-COM, INC. ANY REPRODUCTION IN PART OR WHOLE WITHOUT THE WRITTEN PERMISSION OF L-COM, INC. IS PROHIBITED.

| REVISIONS | | | |
|-----------|-----------------|------------|-----------|
| REV | DESCRIPTION | DATE | APPROVED |
| A | INITIAL RELEASE | 04/25/2022 | PHOSPODAR |
| | | | |
| | | | |




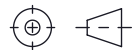
| PART NUMBER | LENGTH METER [FEET] |
|-----------------|---------------------|
| FCA-M1FC-SCS-02 | 2.0 [6.56] |
| FCA-M1FC-SCS-05 | 5.0 [16.40] |
| FCA-M1FC-SCS-10 | 10.0 [32.81] |
| FCA-M1FC-SCS-15 | 15.0 [49.21] |

NOTES:

- FC CONNECTOR 1 ASSEMBLY POLISH TYPE: UPC.
- SC CONNECTOR 1 ASSEMBLY POLISH TYPE: UPC.
- ALL CONNECTORS ACCOMPANIED WITH A DUST CAP INSTALLED (NOT SHOWN).
- CABLE ASSEMBLY SHALL BE INDIVIDUALLY PACKAGED.

REGULATORY COMPLIANCE:

EU RoHS DIRECTIVE (MOST RECENT RELEASED VERSION).

| | | | | |
|--|---|--|--|---|
| UNLESS OTHERWISE SPECIFIED, DIMENSIONS ARE IN INCHES [mm] OVERALL CABLE LENGTH TOLERANCE: ≤12 [305] = +1 [25] / -0 >12 [305] ≤60 [1524] = +2 [51] / -0 >60 [1524] ≤120 [3048] = +4 [102] / -0 >120 [3048] ≤300 [7620] = +6 [152] / -0 >300 [7620] = +5% / -0 ALL OTHER DIMENSIONAL TOLERANCES: .X = ± .2 [5] FRACTIONS ± 1/32 .XX = ± .02 [.5] ANGLES ± 1° .XXX = ± .005 [.13] | APPROVALS DRAWN BY K.GLEBOVA CHECKED BY P.HOSPODAR APPROVED BY P.HOSPODAR | DATE 04/18/22 04/25/22 04/25/22 |  an INFINITO brand | 50 High Street, West Mill, North Andover, MA 01845 USA. Phone: 1.800.341.5266 1.978.682.6936 |
| | CONFIGURATION DETAILS OF UNDIMENSIONED FEATURES MAY VARY | CATEGORY FIBER OPTICS | PRODUCT DESCRIPTION FIBER OPTIC PATCH CORD MM OM1 SIMPLEX 3.0mm FC/UPC-SC/UPC ARMORED LSZH BLACK | |
| THIRD-ANGLE PROJECTION  | COLOR VARIATIONS MAY OCCUR | SIZE A | CAGE CODE 43321 | ITEM NO. FCA-M1FC-SCS |
| | | SCALE: NONE | CAD FILE: FCA-M1FC-SCS.SLDDRW | SHEET 1 OF 1 |