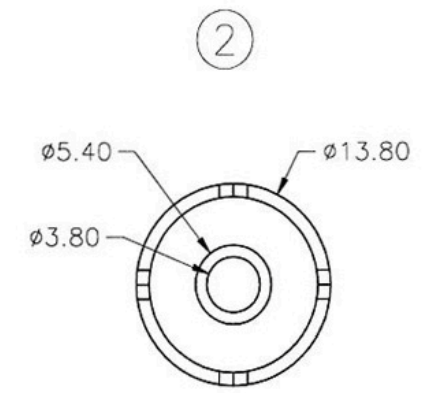
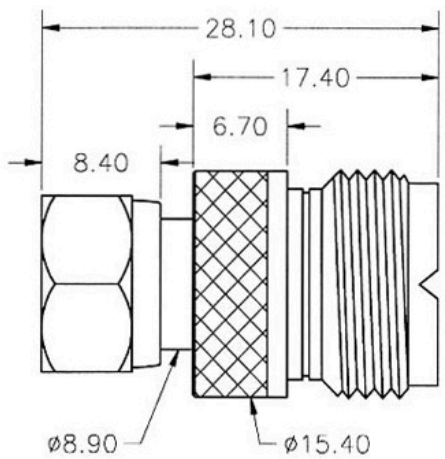
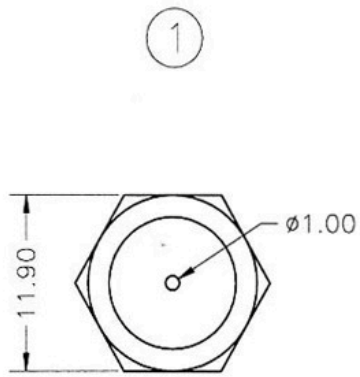


REVISIONS				
ZONE	REV	DESCRIPTION	DATE	APPROVED

Show Me

CABLES



① F MALE
 ② UHF FEMALE
 NOTE: GOLD PLATED CENTER CONTACTS

BY	DATE	PART NO	
DRAWN <i>R.M.</i>	07/30/98		
CHK'D			
APPRV			
MATERIAL	SEE NOTES		
FINISH	SEE NOTES	UNITS	SHEET
		mm	1 OF 1
		SCALE	NONE