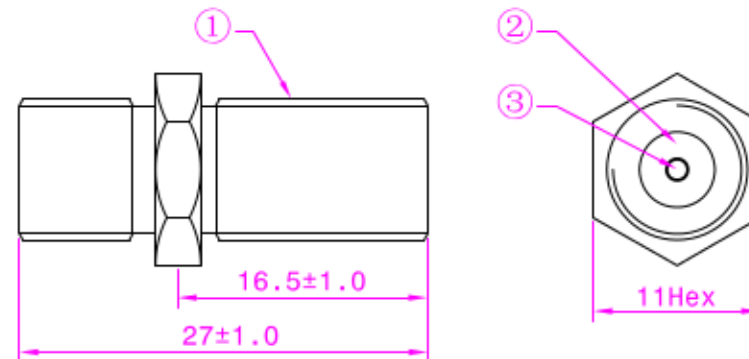




Rev	CO	Date	ENE Review	QA Review	Approved	Drn
Release		2006-11-08	D. Fu	M. Huang	Q. Weng	Y. Wang
			L. Weeks			
Rev2	39	2006-12-12	J. Zhang	M. Huang	Q. Weng	Y. Wang
			L. Weeks			
Rev3	42	2007-04-05	J. Zhang	M. Huang	Q.Weng	Y. Wang
			L.Weeks			

Electrical Requirements			
Type	Frequency (MHz)	Insertion Loss (dB max)	Return Loss (dB min)
A	1000	0.25	16
B	2500	0.25	24
C	3000	0.25	30

Mechanical Requirements				
Type	Dielectric Color (Pantone No.)	Seizing Pin Contact Points	Min Torque Withstand	Operating Temperature
A	Red (032C)	2	40 in·lb	-40°C ~ 40°C
B	Blue (801C)	4	40 in·lb	-40°C ~ 40°C
C	Green (802C)	4	40 in·lb	-40°C ~ 40°C



Materials Specifications				
No	Qty	Desc	Material	Notes
1	1	Body	Brass, Nickel Plated	Machined, 3/8-32 UNEF 2A
2	1	Dielectric	Polyethylene	
3	1	Seizing Pin	Beryllium Copper, Ag Plated	

Product Family		
Type	Item	Color
A	200-057	Red
B	200-058	Blue
C	200-059	Green