

Low PIM Rated 617-960 MHz + 1350-2700 MHz +
3300-3800 MHz + 4900-6000 MHz HH-pol Low Profile MIMO Omni
Antenna, 2xType N Female Connector



EC658IOM06HH-PIM-NF

Features

- Low Passive Intermodulation (PIM) <-153 dBc @ 2x20W
- 2 x Horizontal Polarization for MIMO
- Low Profile 3/4" thick antenna
- Two N Female connector with 12 inch pigtails
- Covers all sub 6 GHz 5G frequency bands including 600 MHz and extended CBRS

Applications

- Indoor distribution of 5G, LTE, GSM/CDMA
- In-building public or private networks
- LPWAN, LoRA, LTE-M, NB-IoT, IoT, M2M applications
- MIMO DAS (Distributed Antenna Systems)
- Discrete Ceiling Mounts

Description

The ShowMeCables EC658IOM06HH-PIM-NF is a low PIM rated, high performance MIMO ceiling mount omnidirectional antenna with 1.5-6 dBi gain. It is specifically designed for in-building wireless networks such as DAS (Distributed Antenna Systems). ShowMeCables's EC658IOM06HH-PIM-NF can be used to distribute Cellular and WiFi signals throughout a building or area. The EC658IOM06HH-PIM-NF operates from 617 to 6000 MHz which is ideal for 5G, LTE, CDMA, LPWAN/IoT/M2M applications including LoRA, LTE-M, and NB-IOT. The Multi-Band design of the ShowMeCables EC658IOM06HH-PIM-NF antenna eliminates the need to purchase different antennas for each frequency. This simplifies installations since the same antenna can be used for a wide array of in-building wireless applications where wide coverage is desired.

The EC658IOM06HH-PIM-NF from ShowMeCables has omnidirectional patterns with 2xhorizontal polarization and features Type N connectors. The key to providing the best performance in telecommunications is to ensure the components used are low PIM rated. This helps meet the increasing demand for higher data rates and the ability to provide streaming video for mobile devices. With a low PIM rating of <-150 dBc, the 617-6000 MHz EC658IOM06HH-PIM-NF helps meets the most demanding PIM requirements for 5G and LTE/4G bands.

The PIM rated Type N 6 dBi EC658IOM06HH-PIM-NF antenna from ShowMeCables is designed specifically for in-building operation and is ideal for use in large open areas such as indoor courtyards, indoor sporting venues, convention centers and shopping malls. Urgency is in our DNA and this 5G Cellular antenna is in stock and ready to ship same day.

Configuration

Design	Ceiling
Band Type	Wide
Radiation Pattern	Omni Directional
Polarization	Linear/Horizontal
Connector Type	N Female
Interface 2	N Female
Number of Ports	2

Electrical Specifications

Description	Minimum	Typical	Maximum	Units
Frequency Range	617		6000	MHz
Input VSWR			1.8:1	
Impedance		50		Ohms
Gain		1.5		dBi
Gain			6	dBi
Input Power			50	Watts

Low PIM Rated 617-960 MHz + 1350-2700 MHz +
 3300-3800 MHz + 4900-6000 MHz HH-pol Low Profile MIMO Omni
 Antenna, 2xType N Female Connector



EC658IOM06HH-PIM-NF

Passive Intermodulation -153
 3rd Order, 2 x 20 W

Specifications by Band

Description	Band 1	Band 2	Band 3	Band 4	Band 5	Units
Range	0.617 to 0.96	1.35 to 1.55	1.69 to 2.7	3.3 to 3.8	4.9 to 6	GHz
Gain	2.2	3.5	4.5	6	6	dBi
Port to Port Isolation	16	18	20	30	30	dB
VSWR Max	1.8:1	1.8:1	1.8:1	1.8:1	1.8:1	

Mechanical Specifications

Radome Material	ABS
Size	
Length	10.47 in [265.94 mm]
Width	10.47 in [265.94 mm]
Height	0.71 in [18.03 mm]
Weight	1.1 lbs [498.95 g]

Environmental Specifications

Temperature	
Operating Range	-55 to +60 deg C
Humidity	< 95

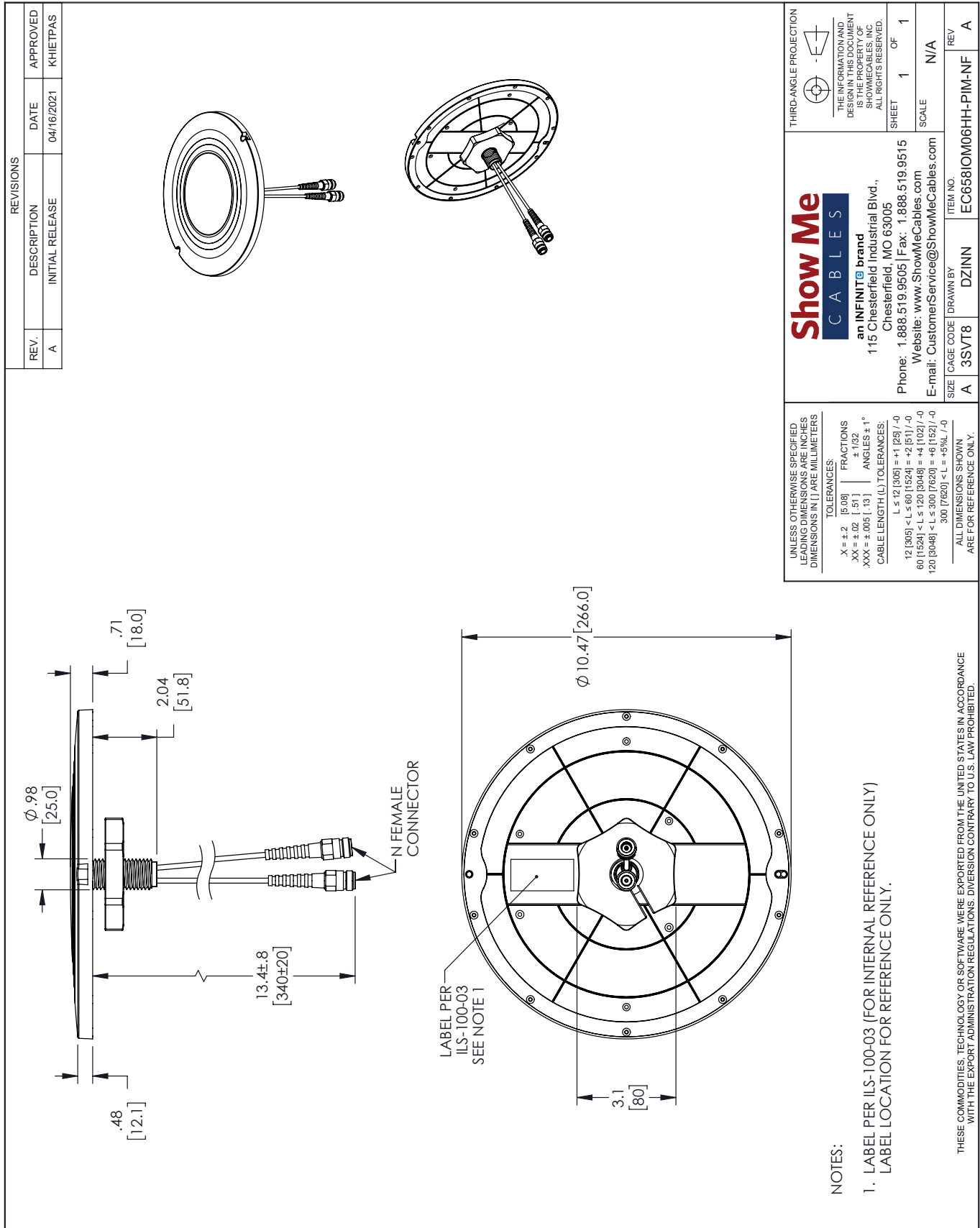
Plotted and Other Data

Notes:

The information contained within this document is accurate to the best of our knowledge and representative of the part described herein. It may be necessary to make modifications to the part and/or the documentation of the part in order to implement improvements. Show Me Cables reserves the right to make such changes as required. Unless otherwise stated, all specifications are nominal. Show Me Cables does not make any representation or warranty regarding the suitability of the part described herein for any particular purpose, and Show Me Cables does not assume liability arising out of the use of any part or document.

Low PIM Rated 617-960 MHz + 1350-2700 MHz + 3300-3800 MHz + 4900-6000 MHz
 HH-pol Low Profile MIMO Omni Antenna, 2xType N Female Connector

EC658IOM06HH-PIM-NF CAD Drawing



Show Me
CABLES
 an INFINITE brand
 115 Chesterfield Industrial Blvd.,
 Chesterfield, MO 63005
 Phone: 1.888.519.9505 | Fax: 1.888.519.9515
 Website: www.ShowMeCables.com
 E-mail: CustomerService@ShowMeCables.com

THIRD-ANGLE PROJECTION

THE INFORMATION AND DESIGN IN THIS DOCUMENT IS THE PROPERTY OF SHOWMECABLES, INC. ALL RIGHTS RESERVED.

SHEET 1 OF 1

SCALE N/A

REV A

UNLESS OTHERWISE SPECIFIED LEADING DIMENSIONS ARE INCHES DIMENSIONS IN [] ARE MILLIMETERS

TOLERANCES:

X = ±.2 [5.08] FRACTIONS ±.1/32
 .XX = ±.02 [.51] ANGLES ± 1°
 .XXX = ±.005 [.13]

CABLE LENGTH (L) TOLERANCES:
 L ≤ 12 [305] = +1 [25] / -0
 12 [305] < L ≤ 60 [1524] = +2 [51] / -0
 60 [1524] < L ≤ 120 [3048] = +4 [102] / -0
 120 [3048] < L ≤ 300 [7620] = +6 [152] / -0
 300 [7620] < L = +5% / -0

ALL DIMENSIONS SHOWN ARE FOR REFERENCE ONLY.

SIZE A CAGE CODE 3SVT8 DRAWN BY DZINN ITEM NO. EC658IOM06HH-PIM-NF