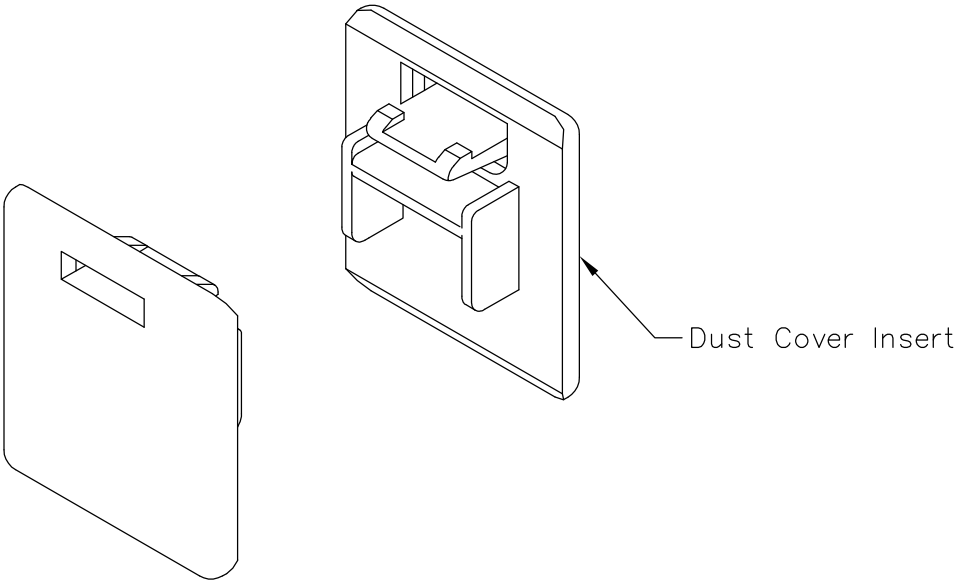


Clear Dust Cover Insert

PRODUCT SPECIFICATION


Package includes:

A. Dust Cover Insert, 10 pcs



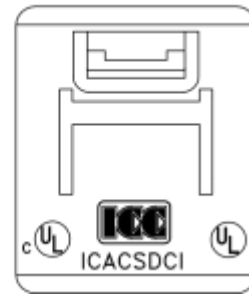
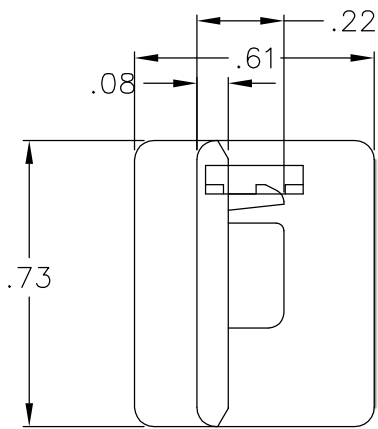
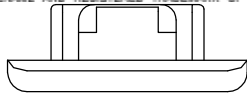
Features and Benefits:

- Fills unused modules and ports to prevent dust and debris
- Used with ICC's CAT 5e, CAT 6, CAT 6A, voice modules, couplers, faceplates, inserts, and patch panels
- Available in clear
- UL listed

DUST COVER INSERT, CLEAR, 10 PK		 <i>Premium Products</i> <i>Proven Performance</i> <i>Competitive Prices</i>		
ITEM NO.	ICACSDCICL		REV.	A
DWG NO.	PSACSDCICL		PAGE NO.	1

CUSTOMER CARE / TECHNICAL SUPPORT * CSR@ICC.COM / 888-ASK-4-ICC (275-4422) * 2100 East Valencia Drive, Suite D, Fullerton, CA 92831 * www.icc.com

© 2005 ICC. THIS DOCUMENT AND THE DESIGNS, SPECIFICATIONS AND INFORMATION CONTAINED HEREIN ARE THE PROPERTY OF ICC. REPRODUCTION, MODIFICATION, ALTERATION, OR UNAUTHORIZED USE WITHOUT ICC'S APPROVAL IS STRICTLY PROHIBITED. ICC AND THE ICC LOGO ARE THE TRADENAME AND REGISTERED TRADEMARK OF ICC. ALL RIGHTS RESERVED.



NOTE: UNLESS OTHERWISE SPECIFIED

1. MATERIAL: ABS, UL 94V-0
2. COLOR: CLEAR
3. SURFACE FINISHING: TEXTURE

DUST COVER INSERT, CLEAR, 10 PK

ITEM NO. ICACSDCICL

REV. A

DWG NO. PSACSDCICL

PAGE NO. 2



CUSTOMER CARE / TECHNICAL SUPPORT * CSR@ICC.COM / 888-ASK-4-ICC (275-4422) * 2100 East Valencia Drive, Suite D, Fullerton, CA 92831 * www.icc.com