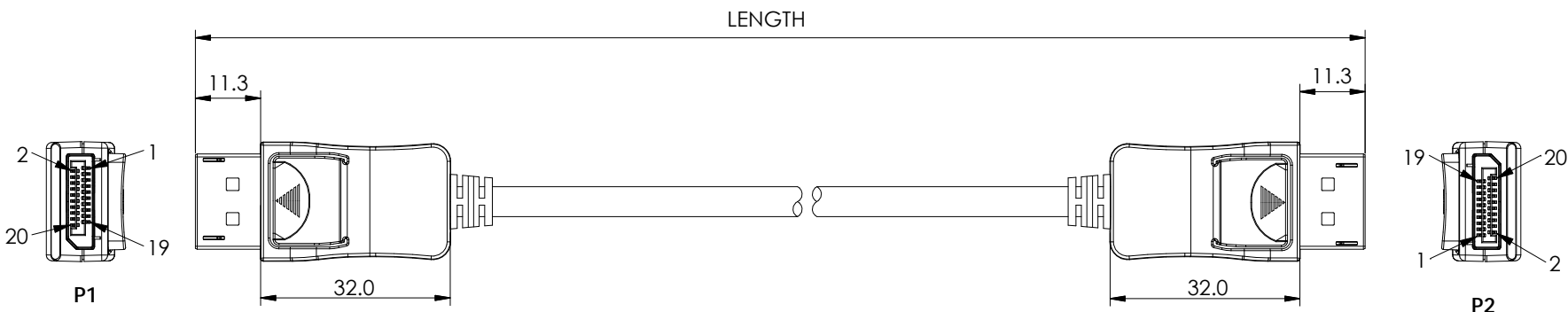


THE INFORMATION CONTAINED IN THIS DRAWING IS THE SOLE PROPERTY OF L-COM, INC. ANY REPRODUCTION IN PART OR WHOLE WITHOUT THE WRITTEN PERMISSION OF L-COM, INC. IS PROHIBITED.

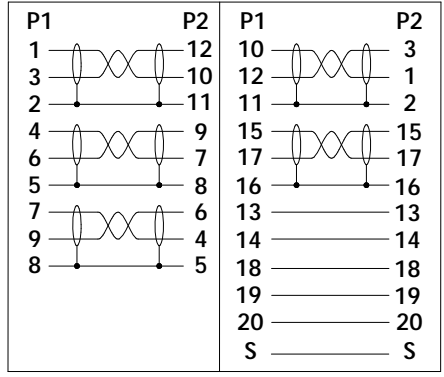
REVISIONS			
REV	DESCRIPTION	DATE	APPROVED
A	REV A DRAWING RELEASED	05/21/18	B.PUCHAASKI



DIMENSIONS ARE METRIC

PART NUMBER	LENGTH METER [FEET]
DPA00006-05M	.5 [1.64]
DPA00006-1M	1.0 [3.28]
DPA00006-2M	2.0 [6.56]
DPA00006-3M	3.0 [9.84]

PIN OUT



NOTES:

CABLE ASSEMBLY SHALL BE TESTED FOR CONTINUITY.
NO OPENS/SHORTS, MISWIRING OR INTERMITTENT FAILURES.

VOLTAGE TEST: DC 300V 10MS
INSULATION RESISTANCE: 5.0M OHM / MIN.
CONDUCTOR RESISTANCE: 5.0 OHM / MAX.

CABLE ASSEMBLY SHALL BE INDIVIDUALLY PACKAGED IN ACCORDANCE WITH L-COM SPECIFICATION PS-0031.

REGULATORY COMPLIANCE:
CE2011/65/EU (RoHS DIRECTIVE)

UNLESS OTHERWISE SPECIFIED, DIMENSIONS ARE IN INCHES [mm] OVERALL CABLE LENGTH TOLERANCE: ≤ 12 [305] = +1 [25] / -0 >12 [305] ≤ 60 [1524] = +2 [51] / -0 >60 [1524] ≤ 120 [3048] = +4 [102] / -0 >120 [3048] ≤ 300 [7620] = +6 [152] / -0 >300 [7620] = +5% / -0% ALL OTHER DIMENSIONAL TOLERANCES: .X = ± .2 [5.08] .XX = ± .02 [51] .XXX = ± .005 [1.13]	APPROVALS DRAWN BY B.PUCHAASKI	DATE 05/21/18		50 HIGH STREET NORTH ANDOVER, MA 01845		
	CHECKED BY J.LABOY	05/21/18		CATEGORY AUDIO VIDEO		
	APPROVED BY B.GATES	05/21/18	PRODUCT DESCRIPTION DISPLAYPORT CABLE 20 PIN			
	PROJECTION 	CONFIGURATION DETAILS OF UNDIMENSIONED FEATURES MAY VARY	COLOR VARIATIONS MAY OCCUR	SIZE A	FSCM NO. 43321	DWG. NO. DPA00006
SCALE: NONE			CAD FILE: DPA00006.SLDDRW		SHEET 1 OF 1	