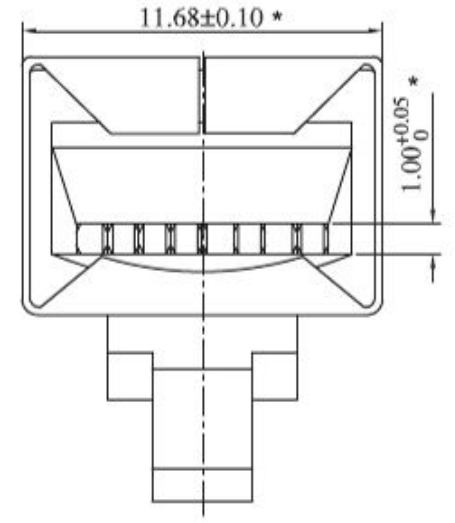
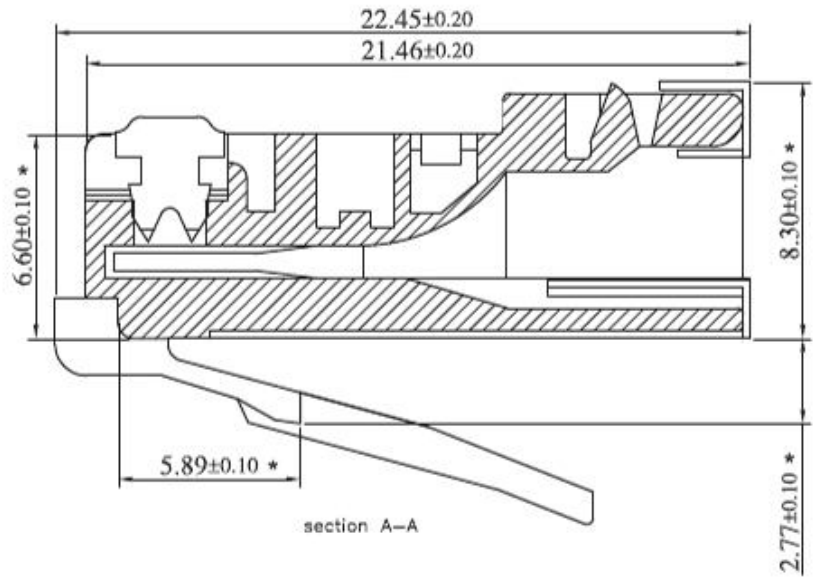
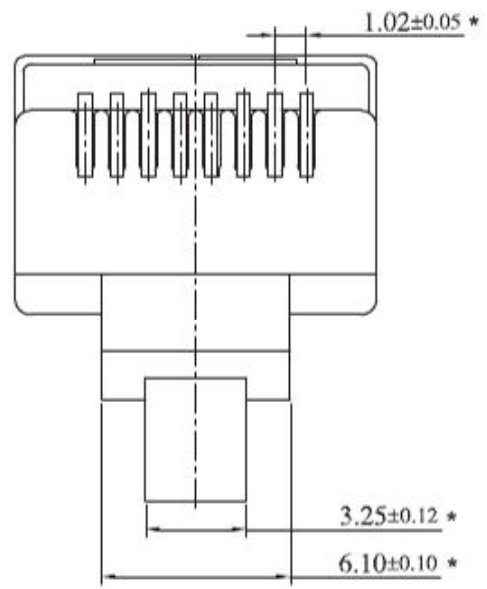
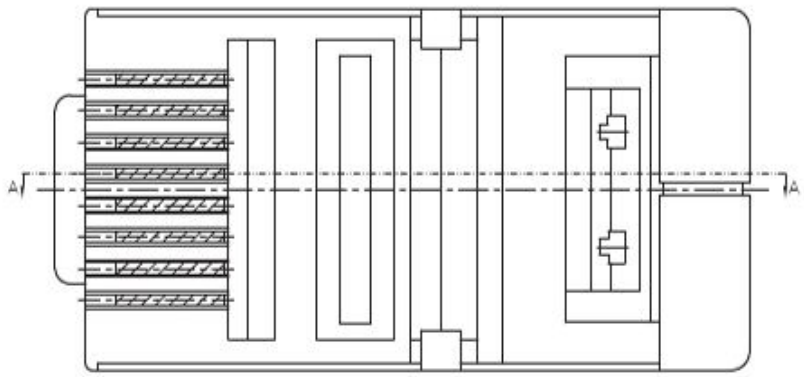


1 2 3 4 5 6 7 8

material list	
Coat	PC 94V-2
Contact pin	phosphor bronze C5191
Electroplate	nickel-plated inside gold-plated outside



		TITLE		
(A4)	INTENTION	DWG.NO.		
APP.			TOLERANCE UNLESS OTHERWISE SPECIFIED	
CHK.			LINEAR	0.00 ±0.1
DR.		UNIT:	0.0 ±0.2	
		MM	ANGLES	±0.1
DWG.C.R.T		REV: A	SCALE	1 : 1 SHEET 1 OF 1

1 2 3 4 5 6 7 8

A  
B  
C  
D  
E  
F  
G  
H

A  
B  
C  
D  
E  
F  
G  
H