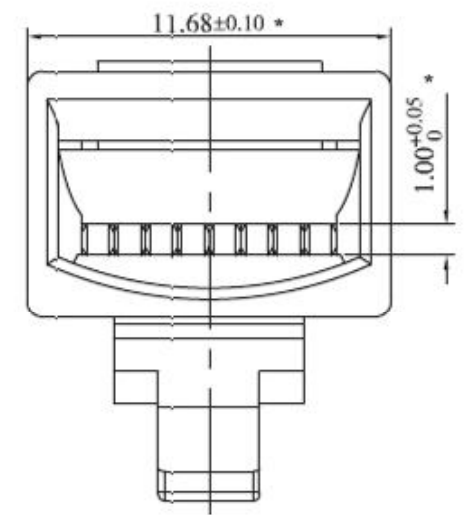
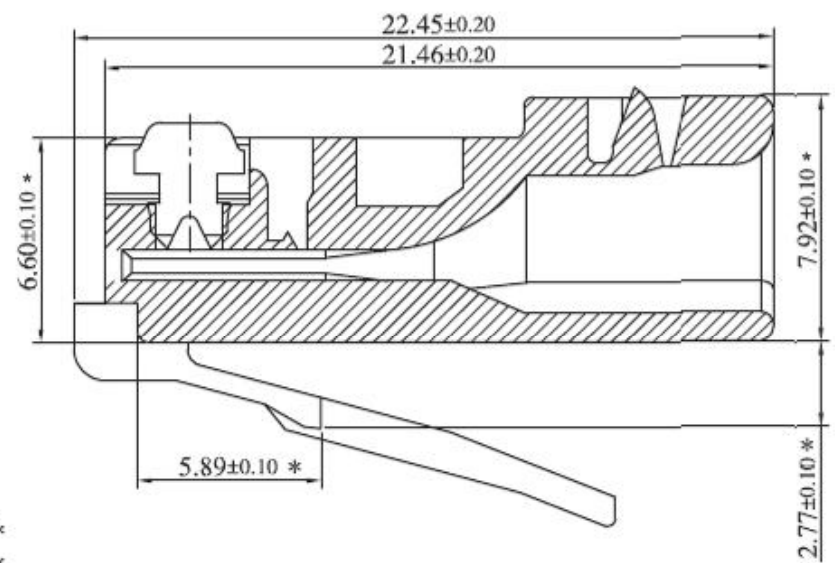
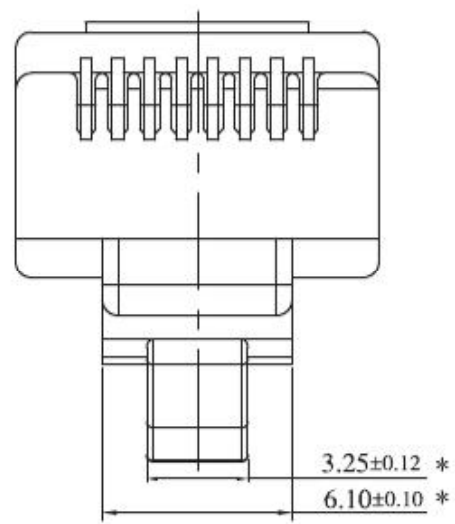
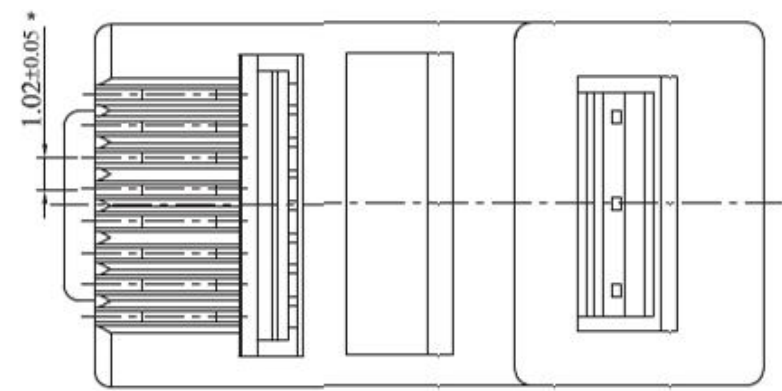


material list	
Coat	PC 94V-2
A Contact pin	phosphor bronze C5191
Electroplate	nickel-plated inside gold-plated outside



		TITLE		
(A4)	INTENTION	DWG.NO.		
APP.			TOLERANCE UNLESS OTHERWISE SPECIFIED	
CHK.			LINEAR	0.00 ±0.1
DR.		UNIT:	0.0 ±0.2	
		MM	ANGLES	±0.1
DWG.C.R.T		REV: A	SCALE	1 : 1 SHEET 1 DF1